

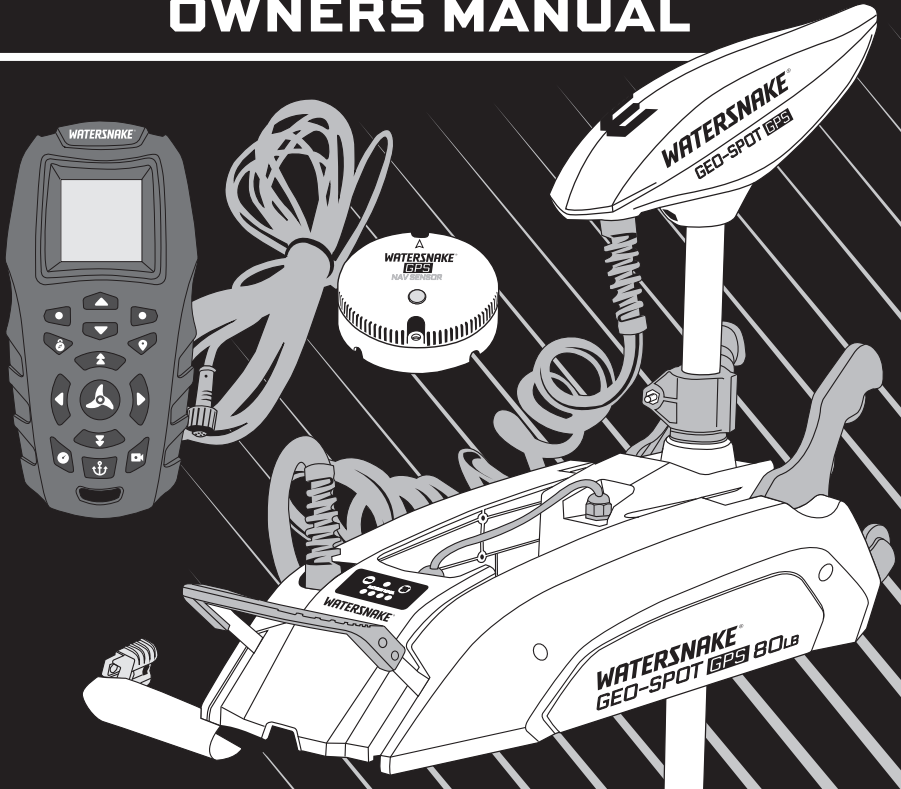


WATERSNAKE®

GEO-SPOT GPS 80LB

BOW MOUNT ELECTRIC MOTORS

OWNERS MANUAL



GEO-SPOT 80LB/66" (55317)

GEO-SPOT 80LB/72" (55320)

GEO-SPOT 80LB/78" (55321)



BEFORE YOU BEGIN:

Trolling motors are high-current devices that require an ideal power supply. Follow these steps to avoid problems:

1

**2 x 12V DEEP CYCLE
OR 2 X 12V LIFEPO4
OR 1 X 24V LIFEPO4
BATTERIES ONLY**

MORE INFO ON PAGE 18

2

**EXTENDING THE
BATTERY CABLES?**

IMPORTANT INFO ON PAGE 19

3

SUGGESTED BATTERY SIZE:

**MOTOR SIZE
54LB - 80LB
BATTERY SIZE
100AH OR LARGER**

WELCOME TO WATERSNAKE

Congratulations and welcome to a world of silent motoring. Powerful yet silent, the Watersnake electric motors are built to suit all angling conditions. High quality materials, superior design and precision engineering make these motors longwearing and reliable.

IMPORTANT

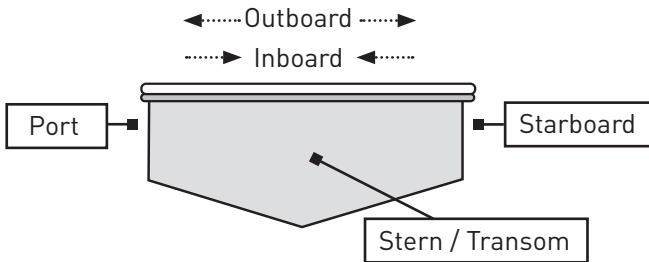
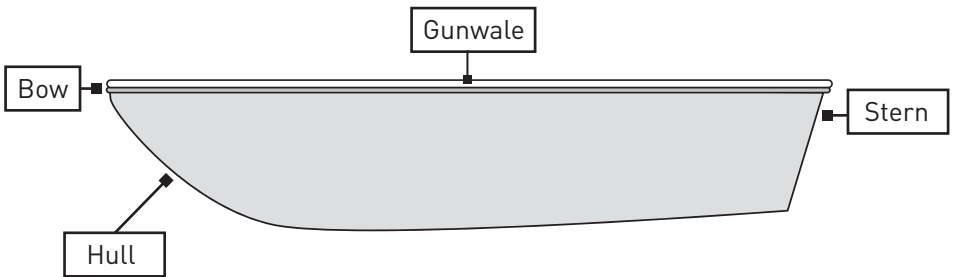
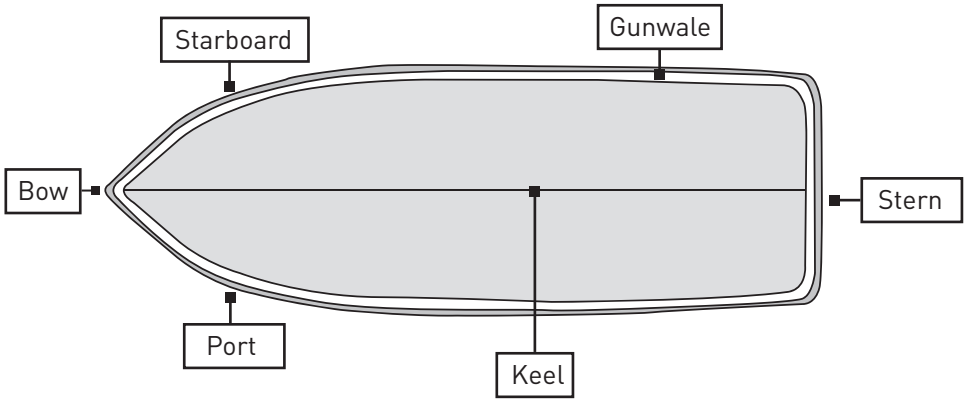
Please read this manual completely before starting installation and using the electric motor.

Disclaimer: The information provided in this Watersnake Motor Manual is correct at time of printing. For the most up to date information, check for the latest version on our website at:
www.watersnake.com.au/pages/watersnake-user-manuals

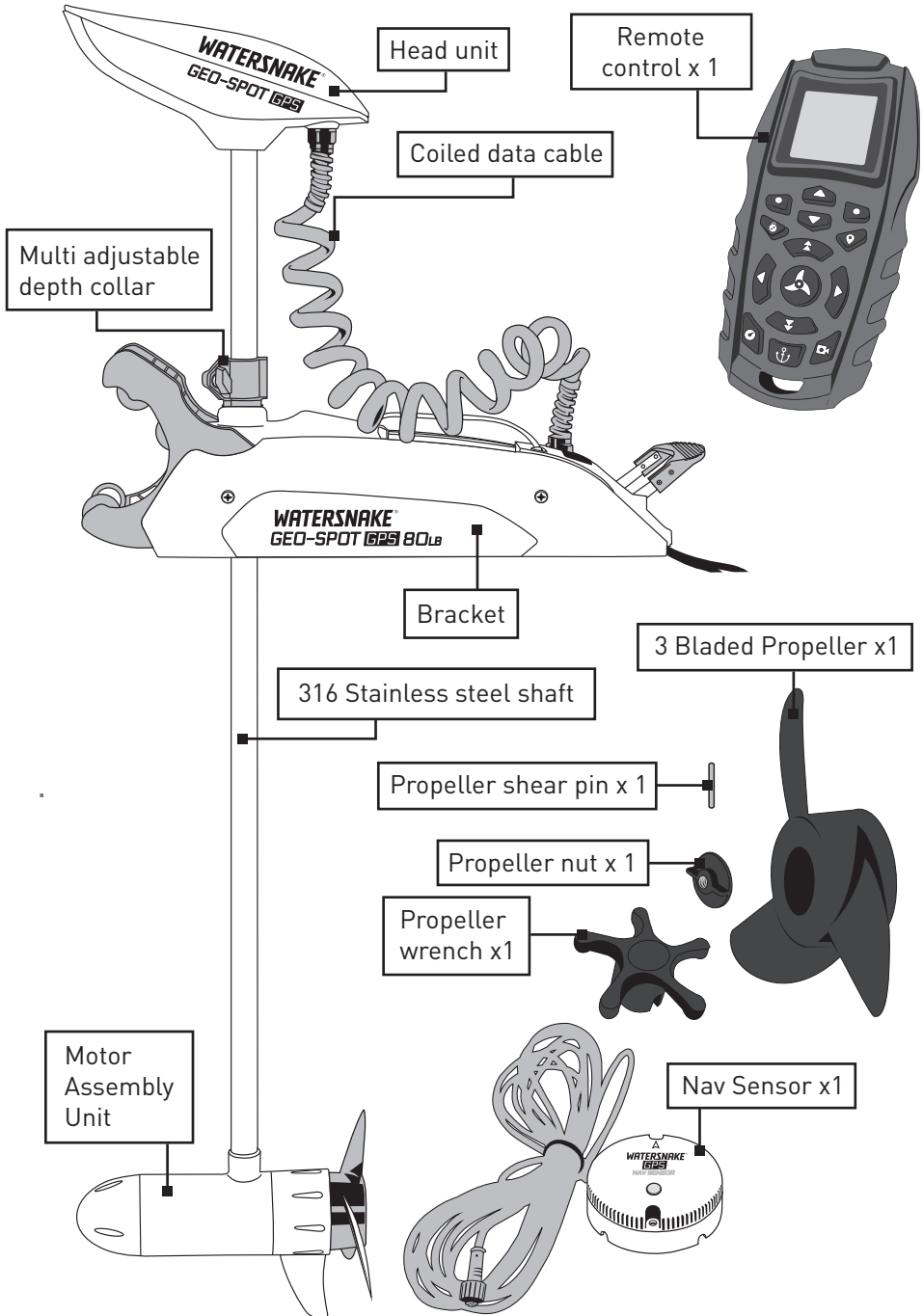
CONTENTS

KNOW YOUR BOAT	4
FEATURES AND BOX CONTENTS	5
INSTALLING THE MOTOR	
Pre-installation checklist	6
Installation direct mount	9
Installation with optional quick release brackets	11-16
NAV SENSOR INSTALLATION	17
BATTERY AND POWER	18
EXTENDING BATTERY LEADS	19
BATTERY CHARGING	19
CONNECTING YOUR MOTOR TO THE BATTERIES	20
PRE-USE CHECKLIST	21
ATTACHING THE PROPELLER	21
DEPLOYMENT INSTRUCTIONS	22-24
STOWING INSTRUCTIONS	25-27
REMOTE CONTROLLER	28-29
BEFORE EACH USE	30
INITIAL POWER UP	31-32
GPS USER INSTRUCTIONS	33-40
NAV SENSOR OPERATION INSTRUCTIONS	41
HOW TO PAIR THE REMOTE CONTROL TO THE MOTOR	42-44
FOOT PEDAL CONTROL (OPTIONAL ACCESSORY)	45
RECOMMENDATIONS	46
MAINTENANCE	47
TROUBLESHOOTING	48-50
SERVICING	51
SPECIFICATION CHARTS	52-54
OPTIONAL ACCESSORIES	55
SCHEMATICS AND PARTS LISTS	56-67

KNOW YOUR BOAT



FEATURES AND BOX CONTENTS



PRE INSTALLATION CHECKLIST

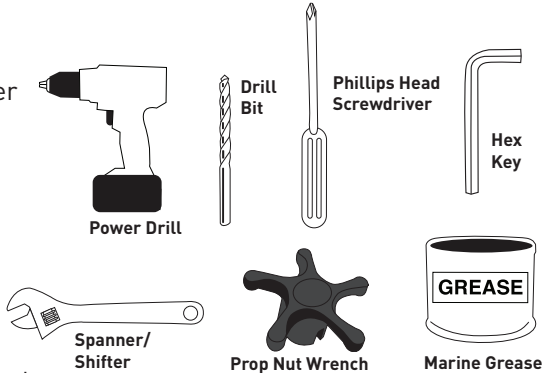
- Familiarise yourself with this user manual and the various parts of your Watersnake motor, labelled in the illustrations.
- Select desired mounting location on boat.
- 12v deep cycle x 2 or LiFePO4 12v batteries x 2 or LiFePO4 24v battery x 1 (your Watersnake motor is not designed for use with car / truck / motorcycle or marine cranking batteries) – for more information about appropriate batteries for your Watersnake motor, refer to page 18.
- Check batteries cable length in relation to location of your 12v deep cycle or LiFePO4 batteries. If extension to the battery cable is required, refer to table on page 19.

PLEASE NOTE:

Your Watersnake motor does not come supplied with any mounting hardware. Mounting hardware is only included with the optional Watersnake quick release nylon or alloy brackets. See page 10 for mounting hardware.

FITTING THE MOTOR TO THE BOAT TOOLS REQUIRED

- Power drill
- 6mm drill bit
- Phillips head screwdriver
- Hex key, 5mm
(for optional quick release plate mounting)
- 10mm spanner/shifter
- Prop nut wrench (supplied)
- Marine grease
- Duralac or similar product



THE BELOW INFORMATION IS FOR THE USA ONLY.



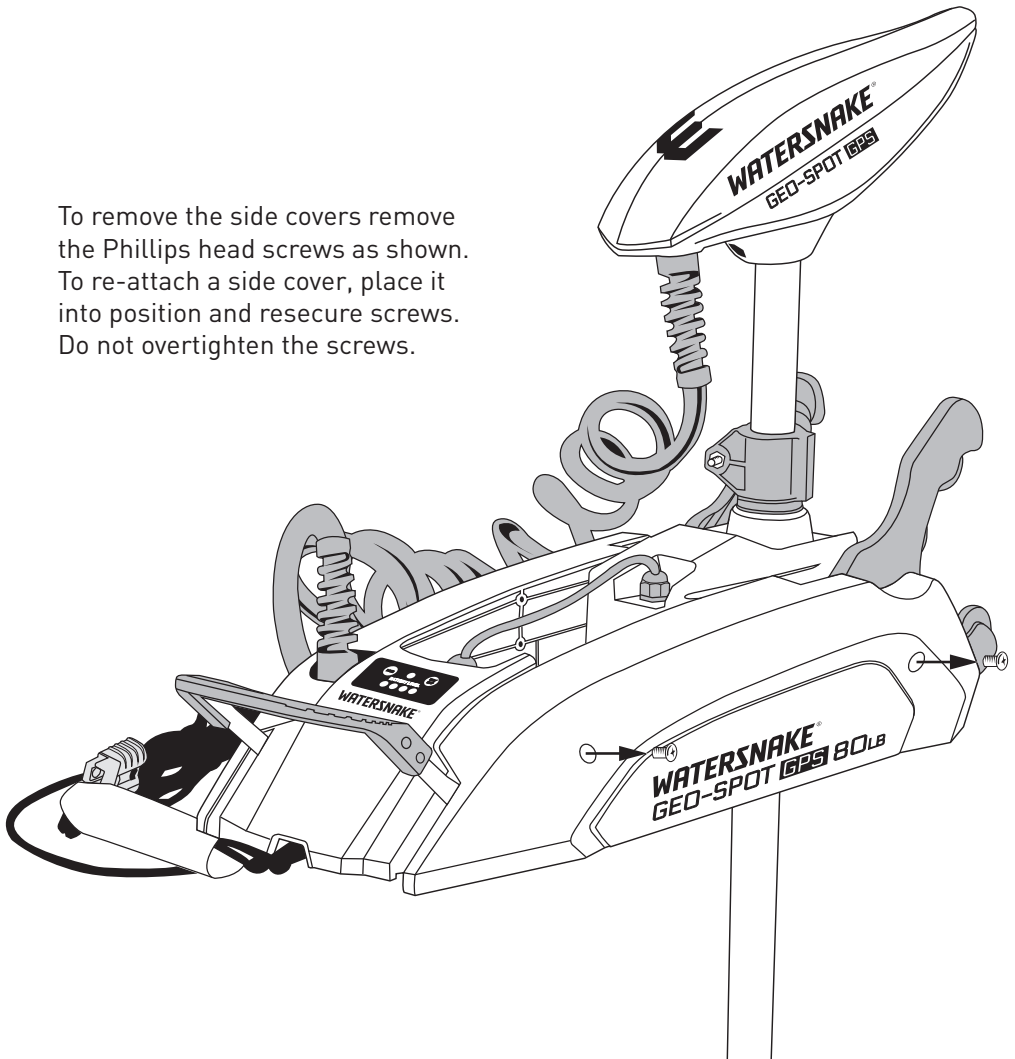
WARNING: This product can expose you to chemicals including Lead and Lead Compounds, which is known to the state of California to cause Cancer, Birth Defects or other reproductive harm. For more information, go to www.P65Warnings.ca.gov.

INSTALLATION

REMOVE SIDE COVERS TO EXPOSE MOUNTING PLATE.

After the motor is mounted, replace covers.

To remove the side covers remove the Phillips head screws as shown. To re-attach a side cover, place it into position and resecure screws. Do not overtighten the screws.



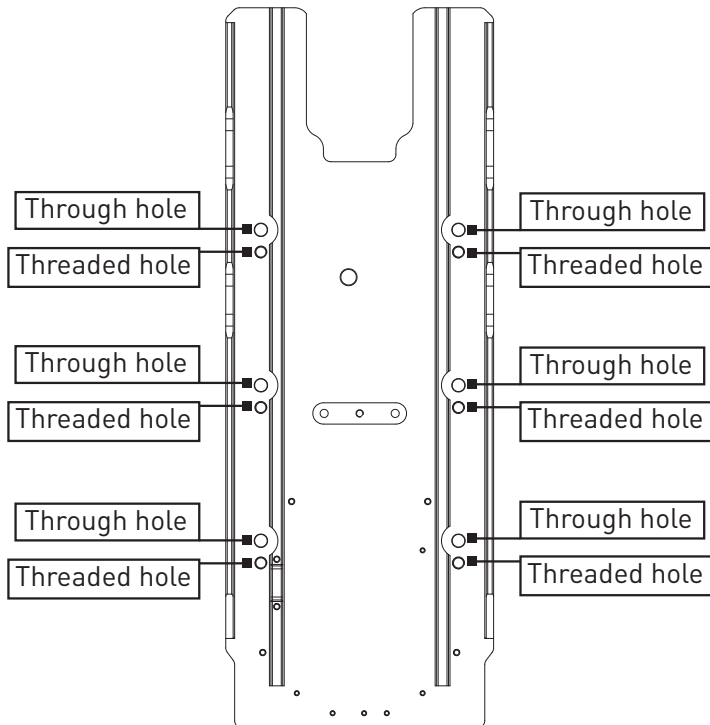
PLEASE NOTE:

Watersnake accepts no liability for personal injury or property damage caused while fitting this motor. Please wear appropriate protective clothing and eyewear/face protection. Avoid contacting and/or inhaling fibreglass dust or aluminium shavings.

BOLT HOLE POSITIONS

MOUNTING PLATE BOLT HOLE POSITIONAL.

There are pre threaded holes for easy installation of the optional Watersnake quick release nylon or alloy brackets.



THERE ARE THREE WAYS TO ATTACH YOUR MOTOR TO YOUR BOAT:

Option 1 - Direct installation of the motor to your boat without a quick release bracket. (Page 9-10)

Option 2 - Installation of the motor to you boat with an optional nylon quick release bracket. (Page 11-13)

Option 3 - Installation of the motor to you boat with an optional alloy quick release bracket. (Page 14-16)

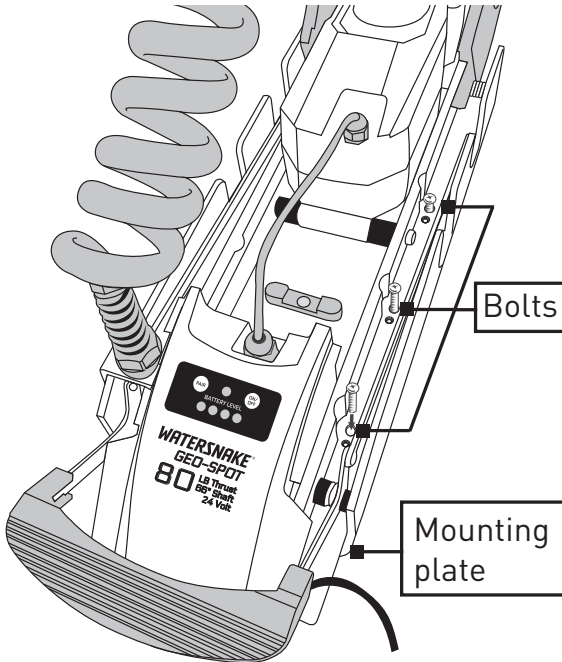
PLEASE NOTE:

Option 2 and 3 are the preferred method for mounting the Geo-Spot 80LB motor. It allows for quick and easy dismounting and remounting of the motor. Watersnake has two alternate Quick Release Brackets available and these are outlined on pages 11-16 of this manual. Watersnake Quick Release Brackets are readily available at stockists of electric trolling motors or online.

INSTALLATION

OPTION 1 (DIRECT INSTALLATION)

FIT BOLTS DOWN THROUGH MOUNTING PLATE AND FOREDECK.



A TOTAL OF SIX BOLTS NEED TO BE USED TO SECURE THE MOUNTING PLATE.

(3 BOLTS ON EACH SIDE OF THE MOUNTING PLATE)

Use 6mm or 1/4" bolts, washers and nylon locking nuts. All fasteners should be made of 316-grade stainless steel.

PLEASE NOTE:

The threaded holes on the mounting plate make adding a quick release bracket easier. You can use either hole but if you choose to use the threaded holes it is recommended that you use threadlocker on the bolt threads during installation.

PLEASE NOTE:

Your Watersnake motor does not come supplied with any mounting hardware. Mounting hardware is only included with the optional Watersnake quick release brackets

PLEASE NOTE:

Watersnake accepts no liability for personal injury or property damage caused while fitting this motor. Please wear appropriate protective clothing and eyewear/face protection. Avoid contacting and/or inhaling fibreglass dust or aluminium shavings.

INSTALLATION

OPTION 1

ATTACHING THE MOTOR DIRECTLY TO YOUR BOAT WITHOUT THE OPTIONAL QUICK RELEASE BRACKET

Before beginning the process of attaching the motor to your boat please ensure the entire Watersnake mount assembly must be mounted in a level, horizontal position as close to the boat's centreline as possible. The Watersnake motor does not necessarily need to face directly forward. On slightly curved decks, spacer washers or blocks must be used to ensure level mounting of the motor base. In some cases it may be necessary to fabricate a mounting plinth from alloy or fibreglass to provide a level location. If you are unsure please consult a marine technician or fabricator.

Use 6mm or 1/4" bolts, washers and nylon locking nuts. All fasteners should be of 316-grade stainless steel. On aluminium boats, use thin rubber washers, gasket material or a film of neutral-cure marine silicone to limit bolt contact with alloy to reduce electrolysis.

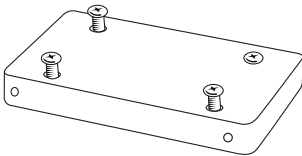
1. "Dry fit" to determine the most suitable position on the boat. Choose a site that offers the least exposure to heavy spray or chance of immersion, especially of the head unit and rear of base mount assembly.
2. Remove side covers from the base mount to reveal the twelve mounting holes. At least four must be fastened to the boat deck with approved bolts, washers and nuts.
3. With motor in stowed position, check that no part of the entire assembly, including the shaft and head unit, is obstructed by any part of the boat, eg, rails, seats, opening hatches, etc. Check that no part of boat impedes full deployment of motor.
4. Check with the motor in a deployed position that the Watersnake shaft does not come into contact with any part of the hull. Allow at least 30mm clearance from boat gunwale.
5. Check with the motor in a deployed position that the propeller and lower unit do not contact any part of the hull through complete 360° rotation.
6. Mark potential mounting holes in lower deck. Check that all holes allow access below deck for protruding bolt, washers and spanner. Mark and drill holes.
7. Fit at least four bolts down through motor mounting plate and through foredeck. Fit the washers and nylon locking nuts from below. Do not overtighten.
8. Apply a light smear of marine grease to pivot points on lock/release lever and turnbox pivot points. Replace the side covers.

INSTALLATION

OPTION 2 - (NYLON QUICK RELEASE BRACKET) ATTACHING THE MOTOR TO YOUR BOAT USING THE OPTIONAL NYLON QUICK RELEASE BRACKET

Before beginning the process of attaching the motor to your boat, please ensure the entire Watersnake mount assembly, including the optional quick-release plate, must be mounted in a level, horizontal position as close to the boat's centreline as possible. The Watersnake motor and quick-release plate do not necessarily need to face directly forward. On slightly curved decks, spacer washers or blocks must be used to ensure level mounting of the motor base and/or lower quick-release plate. In some cases it may be necessary to fabricate a mounting plinth from alloy or fibreglass to provide a level location. If you are unsure please consult your marine technician.

1. QUICK RELEASE BOTTOM PLATE INSTALLATION



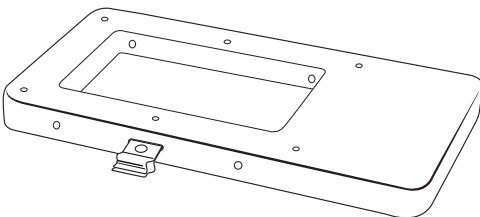
Attach the Quick Release Bottom Plate to the bow of the boat, taking care to ensure it is on the centreline of the boat and placed forward enough so that when the motor is attached the shaft of the motor is not making contact with the boats gunwale rubber. With the plate in position, mark the holes for drilling, ensuring as you do that the bow area below

the mounting location is clear and accessible.

Attach the Quick Release Bottom Plate to the bow using the stainless steel bolts, nuts and washers provided. It is important when doing this work that the boat is level.

2. QUICK RELEASE TOP PLATE INSTALLATION

Remove the side covers from the motor mount. Using the bolts washers and nuts provided, attach the Quick Release Top Plate to the motor mounting plate. The foot print of the Top Plate includes several pre-drilled holes to suit a variety of motor types.



PLEASE NOTE:

If you choose to attach the Quick Release Top Plate to the motor Mounting Plate using the threaded holes in the motor Mounting Plate you will not require the nuts for the bolts. It is recommended to use a threadlocker on the bolts to stop the bolts from loosening over time.

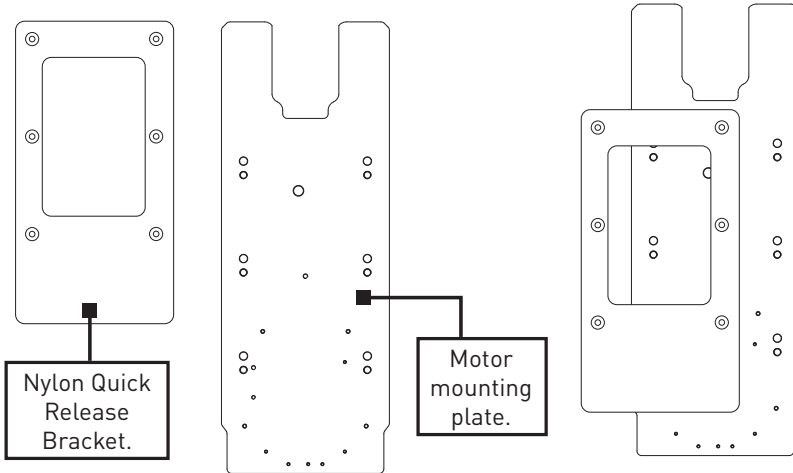
See page 12 for instructions.

INSTALLATION

INSTALLING THE NYLON QUICK RELEASE BRACKET TOP PLATE TO THE THREADED HOLES IN THE MOTOR MOUNTING PLATE.

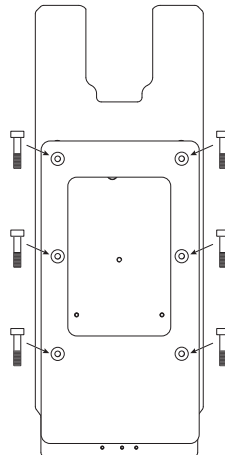
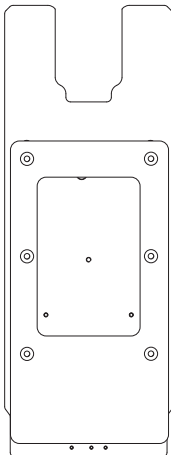
1. Turn Motor over to access the bottom of the motor mounting plate.

2. Position the Nylon Quick Release Bracket onto the motor mounting plate.



3. Align the Nylon Quick Release Bracket holes with the threaded holes in the motor mounting plate.

4. Place bolts through Nylon Quick Release Bracket holes and tighten Bolts into the threaded holes in the motor mounting plate.



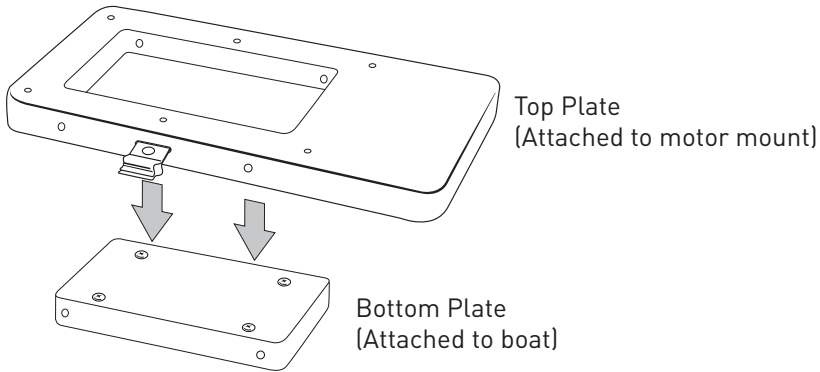
IMPORTANT TIP:

Coat your bolt shaft with Duralac or a similar product to prevent corrosion. (Including the threads)

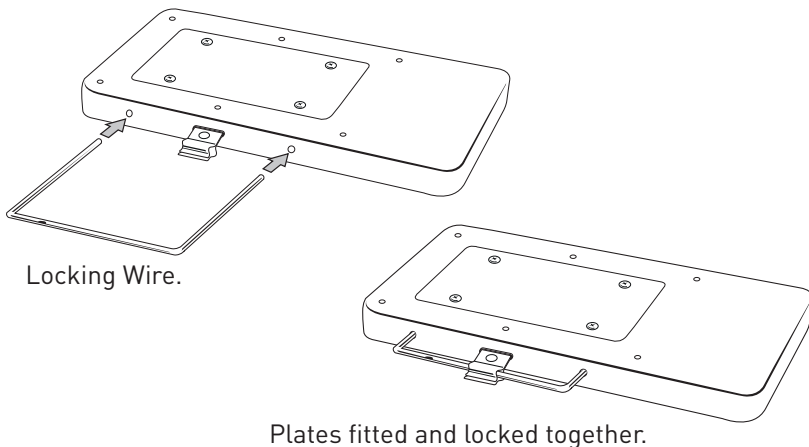
Alternatively you could coat the bolts and threads with a threadlocker to help prevent corrosion and them loosening over time.

INSTALLATION

3. Position the motor bracket with the Quick Release Top Plate on top of the Bottom Plate, which you have mounted to the boat in step 1.



4. To lock both plates together, push the steel Locking Wire all the way into the holes shown here, so the Wire becomes secured by the metal clasp.



NOTE: A padlock can be used on the metal clasp of the quick release bracket to lock your motor to your boat.

PLEASE NOTE:

Watersnake accepts no liability for personal injury or property damage caused while fitting this motor. Please wear appropriate protective clothing and eyewear/face protection. Avoid contacting and/or inhaling fibreglass dust or aluminium shavings.

INSTALLATION

OPTION 3 - (ALLOY QUICK RELEASE BRACKET) ATTACHING THE MOTOR TO YOUR BOAT USING THE OPTIONAL ALLOY QUICK RELEASE BRACKET

Before beginning the process of attaching the motor to your boat please ensure the entire Watersnake mount assembly, including the optional quick-release plate, must be mounted in a level, horizontal position as close to the boat's centreline as possible. The Watersnake motor and quick-release plate do not necessarily need to face directly forward. On slightly curved decks, spacer washers or blocks must be used to ensure level mounting of the motor base and/or lower quick-release plate. In some cases it may be necessary to fabricate a mounting plinth from alloy or fibreglass to provide a level location. If you are unsure please consult your marine technician.

INSTALLATION (SEE PAGE 16 FOR DIAGRAM)

The bracket consists of two plates, top and bottom. Use the six screws (no.3) and washers (no.5) provided to attach the top plate (no.1) to the bottom of your bow mount motor and secure with locknuts (no.4). Use the screws (no.7) provided to fix the bottom plate to the bow section of your boat.

PLEASE NOTE:

If you choose to attach the Quick Release Top Plate to the motor Mounting Plate using the threaded holes in the motor Mounting Plate you will not require the nuts for the bolts. It is recommended to use a threadlocker on the bolts to stop the bolts from loosening over time. See page 15.

ATTACHING THE MOTOR TO YOUR BOAT

Rotate the latch (no.8) on the top plate counter clockwise until it stops. Place the top plate (no.1) onto bottom plate (no.6) the two plates will fit into one another. Turn the latch (no.8) clockwise until tight to lock the two plates in place. Seat the latch (no.8) over the top of the shackle (no.9). A padlock can be passed through the shackle (no.9) to secure your motor.

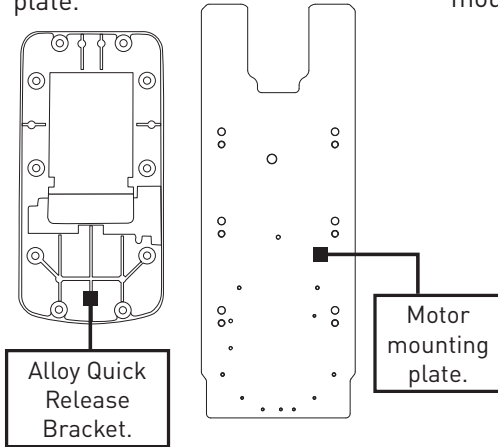
REMOVING THE MOTOR FROM YOUR BOAT

Rotate the latch (no.8) counter-clockwise until tight. Slide the motor and lift to remove.

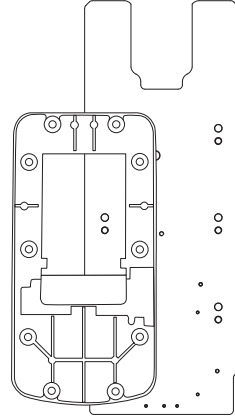
INSTALLATION

INSTALLING THE ALLOY QUICK RELEASE BRACKET WITH THE THREADED HOLES IN THE MOTOR MOUNTING PLATE.

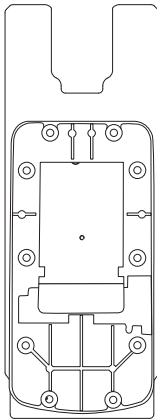
1. Turn Motor over to access the bottom of the motor mounting plate.



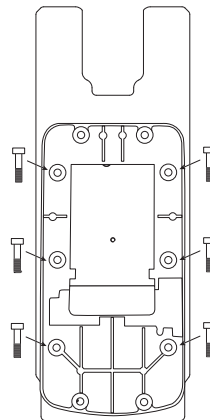
2. Position the Alloy Quick Release Bracket onto the motor mounting plate.



3. Align the Alloy Quick Release Bracket's holes with the threaded holes in the motor mounting plate.



4. Place bolts through Alloy Quick Release Bracket holes and tighten Bolts into the threaded holes in the motor mounting plate.



IMPORTANT TIP:

Coat your bolt shaft with Duralac or a similar product to prevent corrosion. (Including the threads)

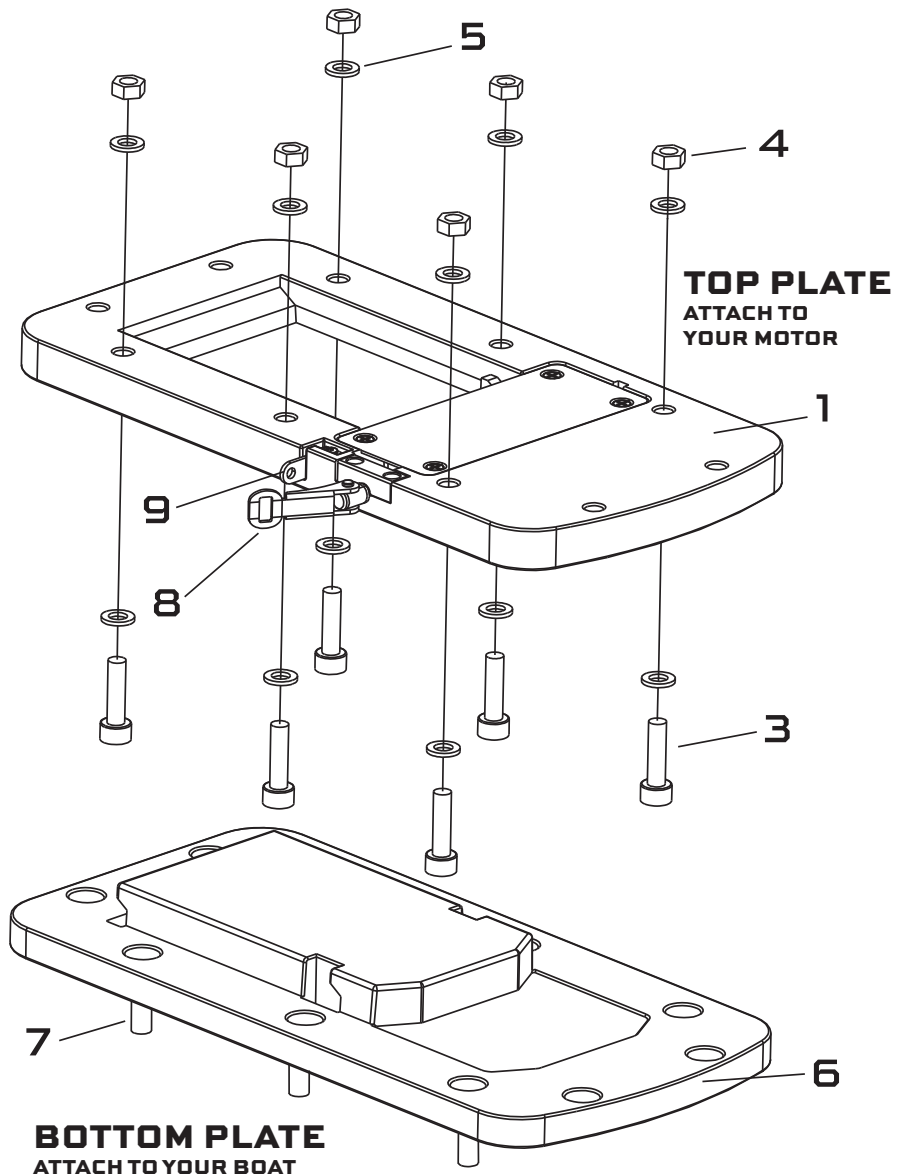
Alternatively you could coat the bolts and threads with a threadlocker to help prevent corrosion and them loosening over time.

PLEASE NOTE:

Watersnake accepts no liability for personal injury or property damage caused while fitting this motor. Please wear appropriate protective clothing and eyewear/face protection. Avoid contacting and/or inhaling fibreglass dust or aluminium shavings.

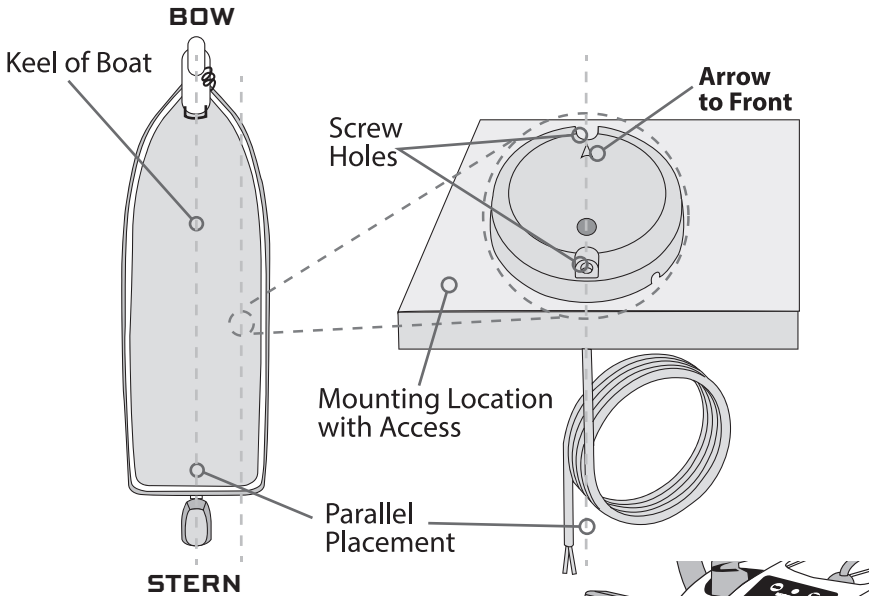
INSTALLATION

OPTIONAL ALLOY QUICK-RELEASE BRACKET



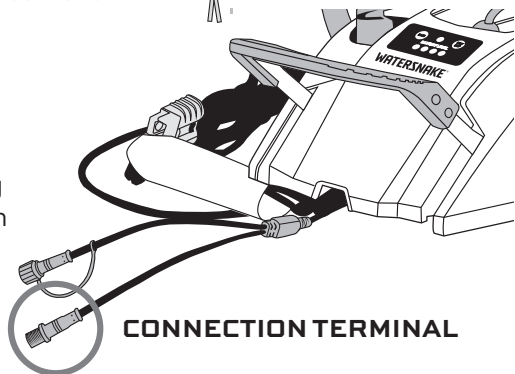
NAV SENSOR INSTALLATION

1. Install the sensor unit on the stern of the boat at a point well away from the trolling motor.
2. The arrow on the cover should point towards the bow of the boat.
3. The axis of the two screw holes should be parallel to the keel of the boat.
4. Install the sensor on a flat horizontal surface. Do not place on a tilted surface.
5. Ensure that there are no high-current power wires or iron-containing objects within 15cm of the sensor.
6. Stainless steel screws are the best option for fixing (do not use screws containing iron).



CONNECTION

Connect the cable of the heading sensor directly to the connection terminal at the base of the Watersnake Geo-Spot bracket.



PLEASE NOTE:

Watersnake accepts no liability for personal injury or property damage caused while fitting this motor accessory. Please wear appropriate protective clothing and eyewear/face protection. Avoid contacting and/or inhaling fibreglass dust or aluminium shavings.

BATTERY AND POWER



CAUTION: Please read the following information before you connect your electric motor to your batteries.

BEST PRACTICES

INSTALLING AND CONNECTING YOUR STEALTH MOTOR

1. Your Watersnake motor is designed to be powered by two 12v deep cycle or LifePO4 batteries that should output no more than 30v. If the voltage input to your Watersnake motor exceeds 30v it may damage the sensitive electronics and void your warranty. A dedicated battery system is preferable. Do not connect other items like fish finders or lighting to the trolling motor batteries.
If you are unsure about the voltage output of your batteries, contact your battery supplier or consult a marine auto electrician.
2. This Watersnake motor is compatible with a battery system that is being charged by an alternator or solar system, so long as the voltage input to the Watersnake motor does not exceed 30v whilst the batteries are being charged. If you are unsure about the voltage that your motor is receiving, consult a marine auto electrician.
3. Route the wiring from the batteries to the trolling motor on an alternate route or path to other wiring on the boat. If possible, it is preferable the wire is fitted to the opposite side of the boat to other wiring.
4. If you have to extend the wiring to connect the motor please review the extending battery leads section of the manual (page 19) so you fully understand this process.
5. This Geo-Spot 80LB trolling motor does not require a circuit breaker. This motor has built in circuit protection.

BATTERY TYPE

USE 2 X 12 VOLT DEEP CYCLE OR 2 X 12V LIFEPO4 BATTERIES

Deep-cycle batteries deliver sustained power with low current draw over extended periods. They can be drained to low levels without developing a “memory” and can be fully recharged hundreds of times over their working lives. Do not use a standard car, truck or marine batteries (called a cranking battery). They are designed to provide a pulse of “cranking power” over a short period, can develop a “memory” preventing complete recharge and can produce current surges that may damage sensitive electronic components on your Watersnake.

Lithium Iron Phosphate (LiFePO4) are the safest lithium battery type. We recommend doing your research on a LiFePO4 battery before purchasing to make sure you are purchasing from a reputable company. There are many cheap lithium batteries on the market that can be harmful to your Watersnake motor.

BATTERY AND POWER

EXTENDING BATTERY LEADS

The longer your battery cable needs to be, the thicker it needs to be to avoid damaging voltage drop. The supplied cable has the correct wire gauge (thickness) for its length. But if you need to extend the length by more than 30%, you will need to replace the existing cable completely with a new longer thicker cable. This means the entire cable will be the correct wire gauge for the new length. See below to find the correct wire gauge for your motor thrust and required cable length. Only use twin-sheathed tinned cable.

Motor Model/Thrust	Max AMP Draw	Wire Extension Length / Wire Gauge For Entire Cable		
80LB	40A	1 Metre (6AWG)	1-3 Metres (6AWG)	3-5 Metres (4AWG)

Note that above table is intended as a guide only. Your local electrical supplier will be able to advise in greater detail based on your particular set up and requirements.

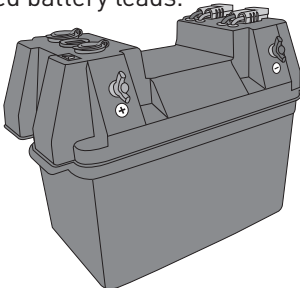
BATTERY CHARGING

You can charge your batteries via an alternator or solar system, so long as the voltage input to the Watersnake motor does not exceed 30v whilst the batteries are being charged. If you are unsure about the voltage that your motor is receiving, consult a marine auto electrician.

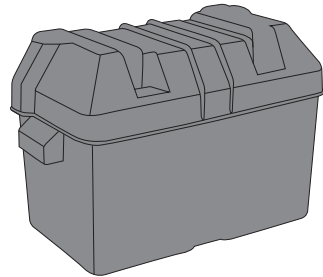
When you are off the water and are charging your batteries at home for long periods of time via a 240v or 110 volt AC charger we recommend you disconnect the motor from the batteries via the supplied Anderson plugs.

AVOID USING STORE-BOUGHT BATTERY BOXES WITH BUILT-IN CIRCUITRY

Battery Boxes use low quality electrical components that cannot handle the high current loads that trolling motors draw. We recommend connecting your Watersnake motor directly to a deep cycle or LiFePO4 batteries using the provided battery leads.



**BATTERY BOX WITH
BUILT IN CIRCUITRY.
DO NOT USE!**



**SIMPLE BATTERY
BOX WITH NO
CONNECTIONS
OK TO USE!**

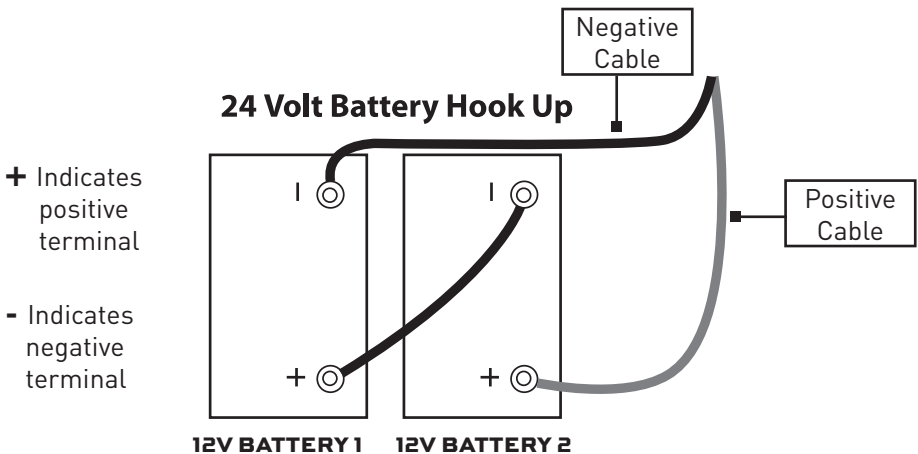
BATTERY AND POWER

CONNECTING YOUR MOTOR TO THE BATTERIES

All Watersnake wiring connections should conform to best marine standards. Soldered, sealed and heat-shrink protected. If you doubt your ability to produce quality waterproof connections or lack the equipment, consult a marine technician or auto electrician.

- Your Watersnake comes factory-fitted with a standard length of twin flex wiring with ring terminals to attach to the batteries.
- Before connecting the motor's cables to the batteries terminals, ensure all switches are in the OFF position and stand clear of the propeller.
- Connect the red cable to the positive (+) terminal and the black cable to the negative (-) terminal, making sure the terminals are clean before doing so. A clean connection will minimise power wastage and give you maximum power from the batteries.
- This Watersnake 80lb motor requires a 24V battery system. Please see an example of two 2 x 12 volt batteries connected in series.
- If you intend to charge your batteries via an alternator or solar panel, it is important that the batteries voltage output does not exceed 30v. If you are unsure of the voltage your batteries will output, consult a marine technician or auto electrician.
- When not in use please make sure that the motor is disconnected from the batteries. This can be done by simply disconnecting the Anderson plugs.

AN EXAMPLE OF 2 X 12V BATTERIES CONNECTED IN SERIES



PLEASE NOTE: Please ensure this Watersnake motor is not your only means of propulsion. Please follow the marine safety guidelines set by your state or country of use.

USING THE MOTOR

PRE-USE CHECKLIST – CHECK BEFORE EACH USE

- Ensure that your Watersnake motor is securely attached to your boat (refer to page 7 of manual)
- Fully charged 2 x 12v deep cycle or 2 x 12v LiFePO4 batteries or 1 x 24v LiFePO4 battery (your Watersnake motor is not designed to be used with a car / truck / motorcycle or marine cranking batteries)
- Check battery cables for any signs of damage or exposed wiring
- Check terminals for any signs of corrosion or debris
- Check Anderson plugs are clean and corrosive free
- Ensure Anderson plugs are connected together properly

PROPELLER ASSEMBLY

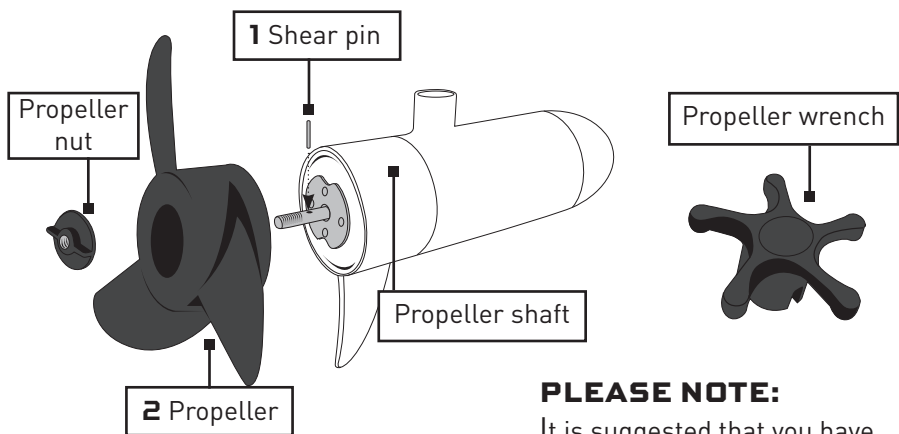
ATTACHING THE PROPELLER

IMPORTANT!

BEFORE DOING ANYTHING WITH THE PROPELLER, ENSURE THE CABLES TO THE BATTERIES ARE DISCONNECTED.

1: Place shear pin in shaft as shown.

2: Align the propeller against the shear pin on the shaft (there is a groove on the back of the propeller which the shear pin needs to slot into) and then tighten the propeller nut securely using the propeller wrench. Do not overtighten; check regularly.



PLEASE NOTE:

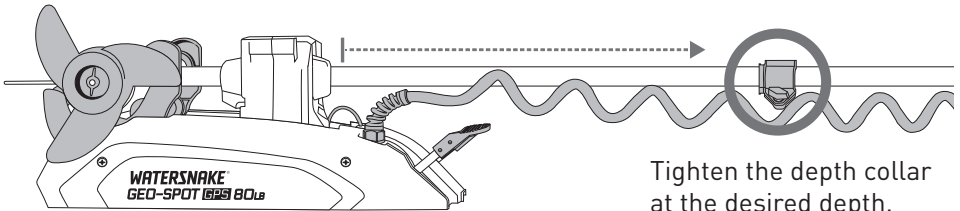
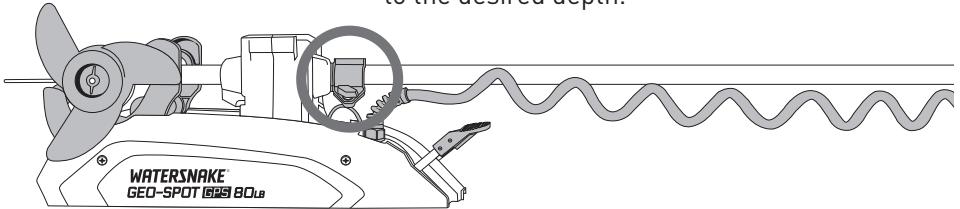
It is suggested that you have a spare propeller and propeller accessory kit in your boat at all times.

DEPLOYING INSTRUCTIONS

Failure to deploy your Watersnake as described below may damage your unit, invalidating its warranty, and could injure you and/or other people.

STEP 1:

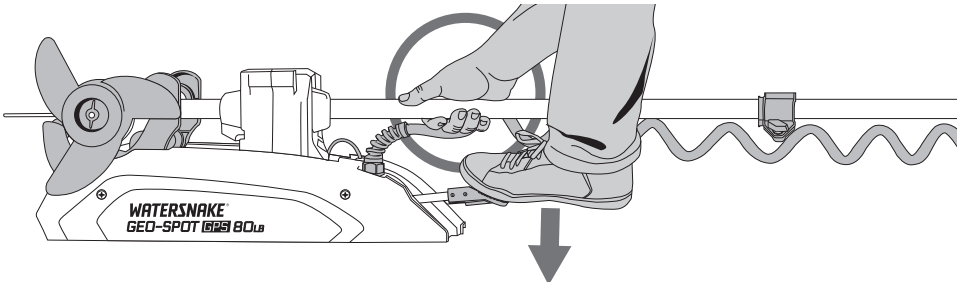
Loosen the depth collar and slide it up the shaft to the desired depth.



Tighten the depth collar at the desired depth.

STEP 2:

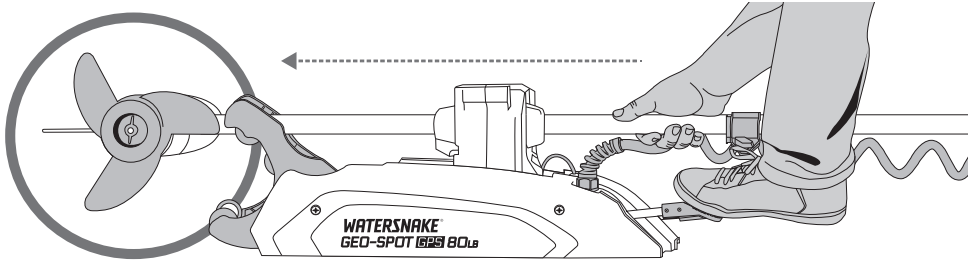
Firmly grab hold of the main shaft and gently press down with your hand or your foot onto the bracket release lever.



DEPLOYING INSTRUCTIONS

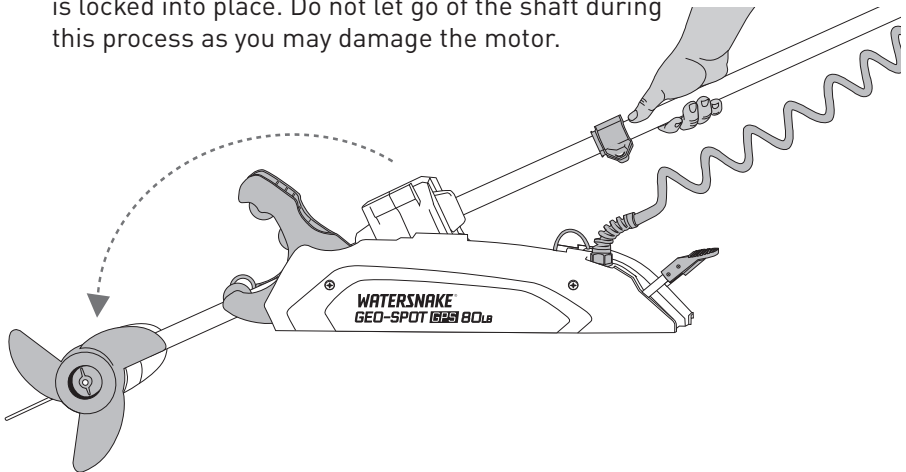
STEP 3:

when the locking clamps release, slide the shaft through the turning box unit until the lower motor unit is completely free from the locking clamps.



STEP 4:

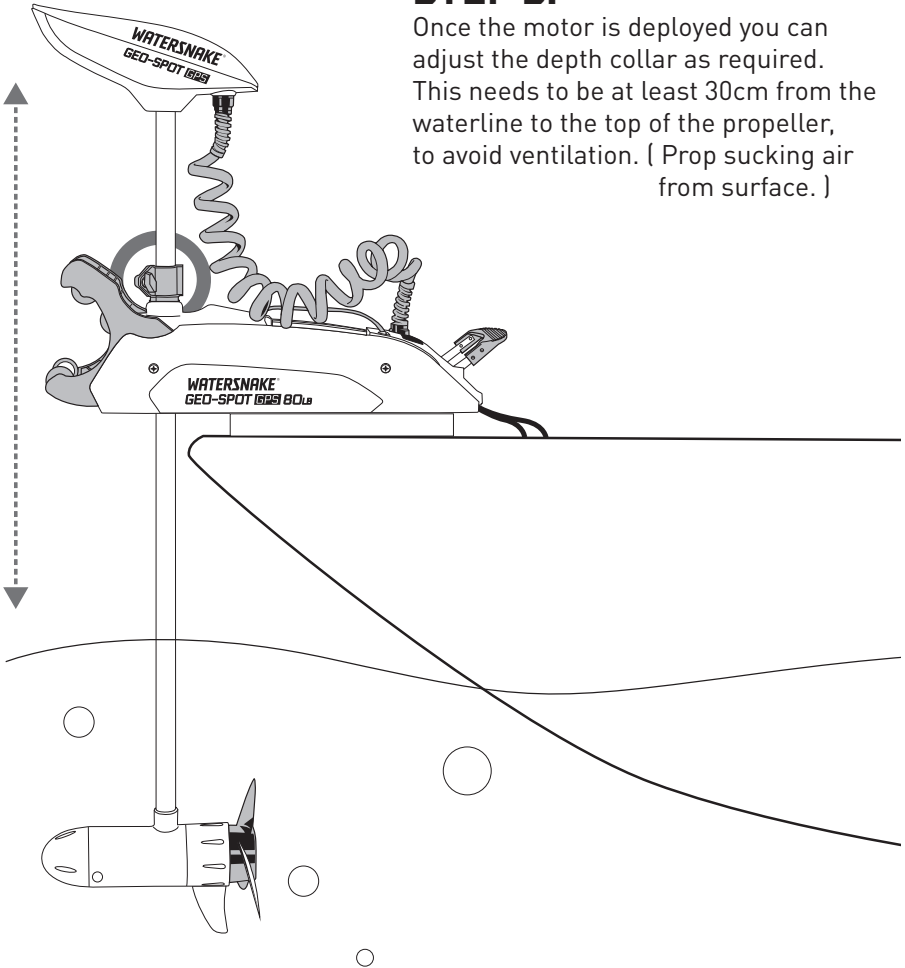
Slowly rotate the released motor unit into the deployed position. When you hear a click the motor is locked into place. Do not let go of the shaft during this process as you may damage the motor.



DEPLOYING INSTRUCTIONS

STEP 5:

Once the motor is deployed you can adjust the depth collar as required. This needs to be at least 30cm from the waterline to the top of the propeller, to avoid ventilation. (Prop sucking air from surface.)

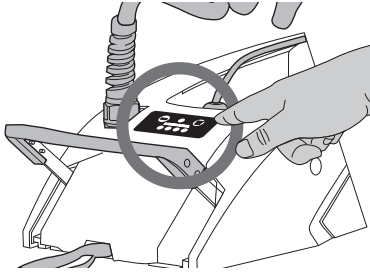


PLEASE NOTE:

Watersnake Distribution Pty Ltd accepts no liability for injury or damage caused by the incorrect deployment or stowing of this motor.

STOWING INSTRUCTIONS

Failure to stow your Watersnake as described below may damage your unit, invalidating its warranty, and could injure you and/or other people.

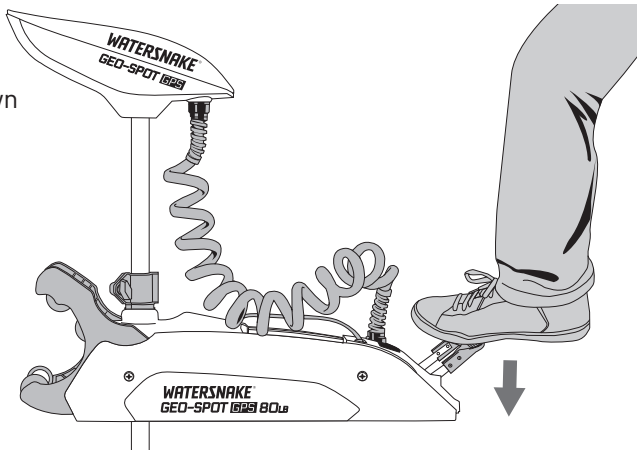


STEP 1:

Turn off the Motor using the On /Off button on the back of the motor bracket

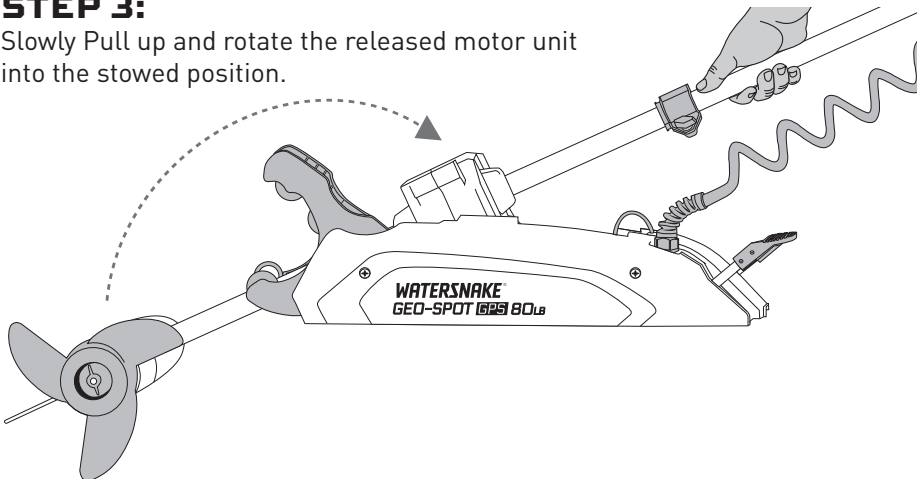
STEP 2:

Gently press down with your hand or your foot onto the bracket release lever to disengage the locking mechanism.



STEP 3:

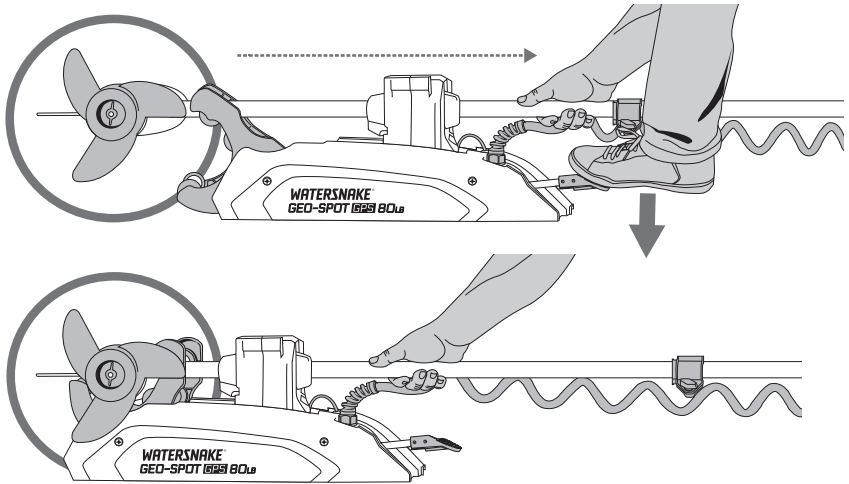
Slowly Pull up and rotate the released motor unit into the stowed position.



STOWING INSTRUCTIONS

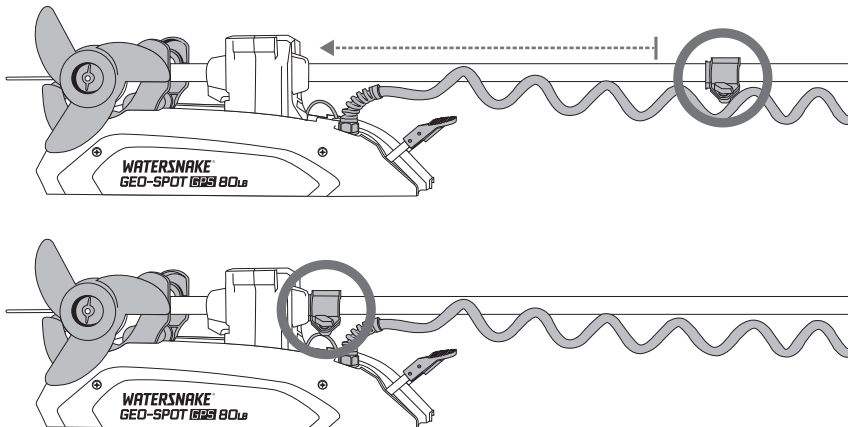
STEP 4:

Gently press down with your hand or your foot on the bracket release lever and pull the motor back into the locking clamps until you hear a click. This means the lower motor unit is now locked in place.

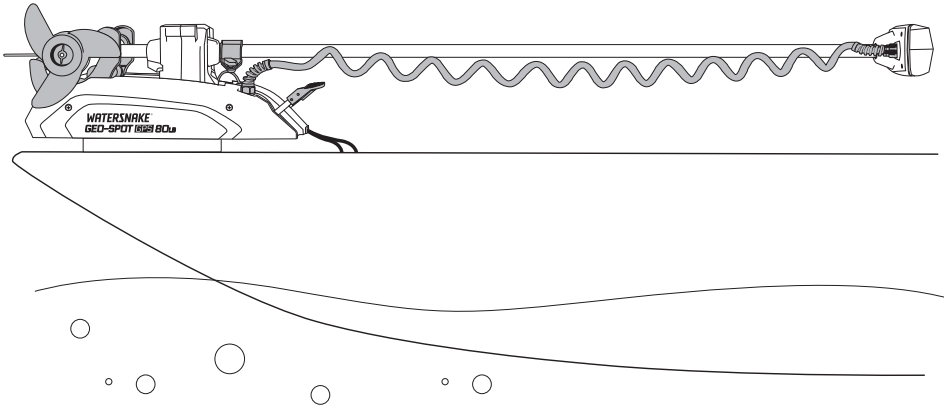


STEP 5:

Loosen the depth collar on the motor shaft and slide it so that it is flush up against the turning box unit then re-tighten it. This will prevent the motor from self deploying whilst in transit.



STOWING INSTRUCTIONS



RECOMMENDATIONS:

Ensure your motor is properly stowed and secured before high-speed travel on the water or on the road. Additional support of the head unit may be required. Watersnake accepts no liability for injury or damage caused by the incorrect deployment or stowing of this motor.

For travel over long distances or over rough terrain, Watersnake recommends you remove the motor from the boat it is installed on and stow it securely in a safe and secure position with protection from bad weather.

After your boating trip deploy the motor and gently clean it of any contaminants with a sponge or rag. Do not spray the motor with high pressure water. After the motor is clean lubricate it's main shaft so that it is ready for the next trip.

While storing your motor after your boating trip it is recommended to disconnect it from the batteries.

PLEASE NOTE:

Watersnake Distribution Pty Ltd accepts no liability for injury or damage caused by the incorrect deployment or stowing of this motor.

REMOTE CONTROLLER

REMOTE CONTROL

Do not attempt to operate the Remote Control while outside your floating boat. The Remote unit is splashproof but not submersible. Do not immerse.

Use the lanyard provided to ensure the remote is at hand whenever required.

Do not wipe screen if there is a layer of dried salt, grit or sand on it. Remove gently with a soft, damp cloth to prevent scratching.

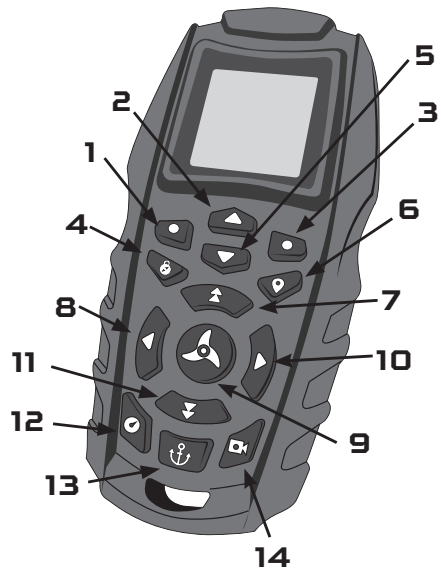
Use the neck lanyard for convenience but be careful not to immerse when leaning close to the water.

- The 3 x AAA batteries installed provide up to 100 hours of operation if backlight brightness and timeout are at lowest settings.
See Remote section.
- Battery condition indicator is at top right corner of home screen when power is on.
- Battery compartment is on underside and requires phillips head screwdriver. To ensure ultimate reliability, keep spare batteries and suitable screwdriver on board.
- Watersnake recommends you carry spare batteries and an appropriate screwdriver for the remote on your boat at all times to ensure you have replacements in case of failure of the batteries in the remote unit.
(This remote unit requires 3 x AAA batteries)

REMOTE CONTROL OPERATIONS

BUTTON DESCRIPTION

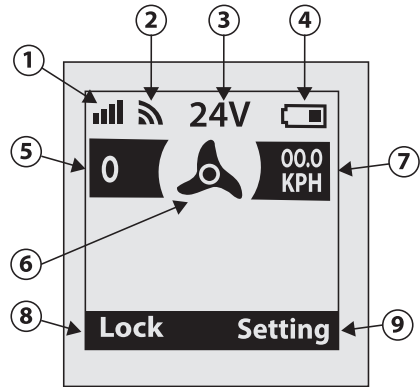
1. Menu left
2. Menu up
3. Menu right, Power on/off
4. Heading Fix/Course Fix on/off
5. Menu down
6. Navigation function menu
7. Propeller acceleration
8. Turn left
9. Propeller start/stop
10. Turn right
11. Propeller deceleration
12. Cruise Mode start/stop
13. Anchor Mode on/off
14. Record menu



REMOTE CONTROLLER

SCREEN DISPLAY

- 1 GPS signal strength
- 2 4G signal strength
- 3 24V battery voltage
- 4 Remote control battery level
- 5 Motor speed 0-10
- 6 Propeller start and stop
- 7 Vessel speed (over bottom)
- 8 Left menu
- 9 Right menu



SCREEN DISPLAY ABBREVIATIONS

To Start: When recording or navigating a track the to start location is the beginning of the track.

To End: When recording or navigating a track the to end location is the end of the Track.

Distance (DIST): Distance from the boat's current location to an Anchor Point or the boat's location and closest point on a track.

Bearing (BRG): GPS direction from the boat's current position to a target destination, including a spot or a track.

Heading (HDG): Direction that the motor/boat is pointing or travelling.

Distance to go (DTG): When navigating to a Spot, the distance left before the destination is reached. When navigating a track, the distance to go to reach either the start or end location on the track, depending on which direction the track is being navigated.

BEFORE EACH USE

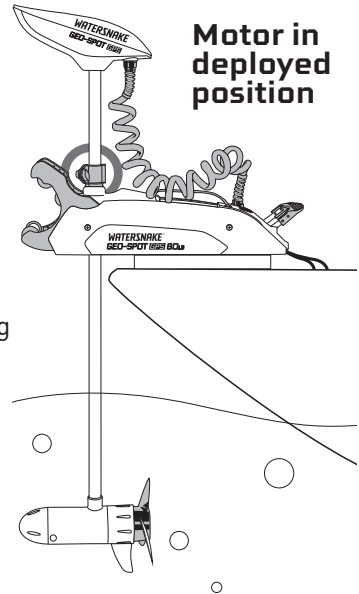
- Ensure that your Watersnake GPS motor is securely attached to your boat.
- Ensure the 2 x 12v deep cycle or 2 x 12v LiFePO4 or 1 x 24v LiFePO4 batteries are fully charged.
(Your Watersnake GPS motor is not designed to be used with a car/truck starting batteries).
- Check battery cable for damage or exposed wiring
- Check terminals for corrosion or debris
- Check Anderson plugs are clean and corrosive free
- Check the Remote Control has sufficient charge
(Remote battery indicator is at top Right of active screen).



INITIAL POWER-UP

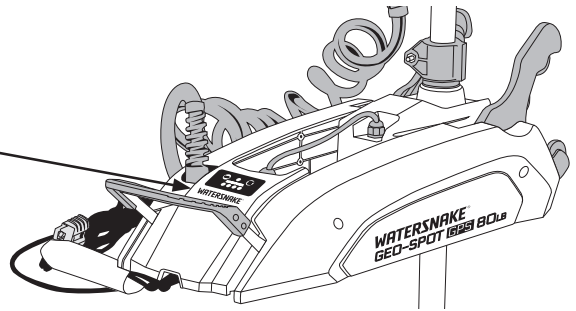
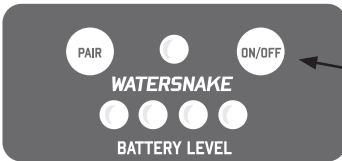
- Attach your Watersnake Geo-Spot to 2 x 12v deep cycle or 2 x 12v LiFePO4 or 1 x 12v LiFePO4 battery.
- Once your vessel is launched and on the water deploy the motor and ensure locking lever is in the up position.

NOTE – Your Watersnake motor is fitted with a tilt switch that prevents the motor from running unless it is in the deployed (vertical) position.

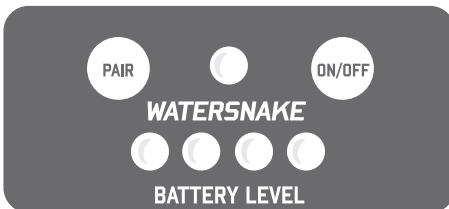


Motor in deployed position

- Hold down the right-hand button (on/off) on the fascia panel on mount assembly until all the lights illuminate.

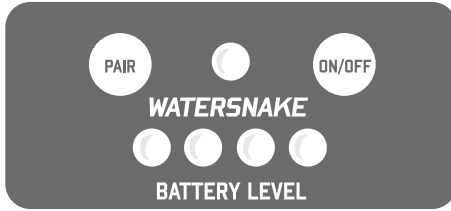


- The four lower LEDs indicate battery condition. They register as green or unlit, depending on charge remaining.



INITIAL POWER-UP (CONTINUED)

• The upper LED is the unit's Status Light. Its variable colour display signals important states of your Watersnake GPS.



• **Yellow Status Light:** When unit is turned on, Status Light glows YELLOW as unit searches for GPS signals. Superior GPS results occur outdoors, away from tall buildings, bridges etc.

• **Green Status Light:** When unit establishes a GPS connection, usually within a few seconds, status LED FLASHES GREEN, THEN TURNS SOLID GREEN. Unit can be operated by the optional foot pedal only (when cable is connected) at this time.

• **Flashing Red Status Light:** Motor is in stowed position and will not activate for safety reasons.

• Power up Remote Control by holding down Red Key 3 for two seconds, then release and the screen illuminates. Motor unit should respond with “shave-and-a-haircut” pairing signal. Status light GREEN. Hold on! Just a few more things...

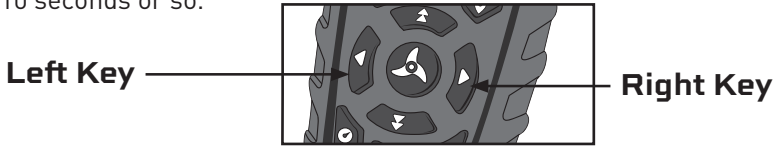


GPS USER INSTRUCTIONS

CALIBRATIONS, PREFERENCES

- The Remote might now ask you to calibrate steering by activating the grey Turn R or L key for it to establish steering registration.

It takes only 10 seconds or so.



- Press that red key again to activate the main Menu. Use the adjoining blue up/down keys to scroll through the setup menus.



- Using the blue arrow down key, scroll down to boat size and configure boat details. This helps your Watersnake GPS apply just the right amount of initial power to the propeller at all times.

Small boat = under 3m

Medium boat = 3m-4m

Large boat = 4m+

Select boat size with red key, lock it in and get back to the settings menu, again with the left blue key.



- Scroll to Units and check metric or imperial; press red key to confirm. Default is metric. Press left blue key to get back to main menu and continue scrolling down.

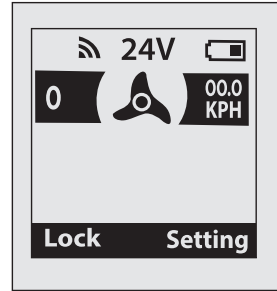
- In the Backlight menu, adjust Timeout and Brightness using red Confirm key. The longer and brighter the remote screen is illuminated, the shorter the Remote battery life. The brighter the day, the brighter the display; go for a dim backlight to retain night vision.

- In the Backlight menu, adjust Auto Off to select your choice of 15 minutes to 120 minutes. Auto Off acts when Remote has been idle for the stipulated time.

GPS USER INSTRUCTIONS

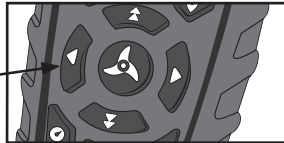
MANUAL MODE -SCREEN DISPLAY

In this mode, the remote function display area is blank. The base unit status light is GREEN. The motor can operate with remote control and optional foot pedal. The optional foot pedal can be switched to constant or momentary. Buttons 7, 8, 9, 10 and 11 control propeller, speed and steering.



- The middle five grey keys control operation in Manual Mode. Status Light glows GREEN in Manual Mode when controlled by Remote and/or optional foot pedal.

**Middle grey
five keys**



**Keys 7,8,9,10
and 11.**

**Optional
foot
control**



- Remote default at startup is zero power level, propeller stopped.
- Grey arrows up and down progressively increase and reduce power between zero and Level 10. Each increment change produces a short notification tone from the base unit fascia panel.
- L and R turn keys on Remote and Pedal operate as long as they are held down, to a maximum of seven seconds. For further rotation, depress and hold again
- Centre Propeller toggle button applies/halts power to propeller and produces a tone at stop/start.
- Always apply power gradually for smooth operation.
- Optional foot pedal controls also operate in conjunction with manual mode, status light GREEN.

GPS USER INSTRUCTIONS

ANCHOR MODE

Press Anchor mode (Key 13) and the motor enters Anchor mode immediately, referring to GPS position where key was activated. Motor will navigate boat back to position, nominal accuracy 2m in favourable conditions. Status light is BLUE

Function screen displays distance from anchor point, GPS bearing back to anchor point.

Menu screen displays: Exit = exit Anchor mode; Save = save current anchor point.

Press Anchor mode key again to exit.

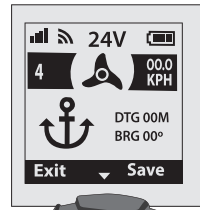
To save a current Anchor spot to memory, ensure Save appears in menu screen display and depress Key 3. Up to 16 spots can be saved.

If you have a Watersnake Navigation Sensor accessory fitted to your vessel, you will be able to utilise the JOG feature when in Anchor mode. When in Anchor mode and locked on a GPS position, simply press the directional arrow for the direction you wish to adjust your locked position by 1.5 metres. This will then adjust the GPS position forward, back, left or right, each time that a directional arrow is depressed.

Do not rely on Anchor Mode as your vessel's sole means of anchoring. Anchor Mode is for short-term position holding in light conditions and is not to be relied on to maintain a vessel's position in significant current, wind, weather or tide. A vessel in Anchor Mode is considered by the International Regulations for Preventing Collisions at Sea (Colregs) to be "under way" and should display appropriate lights and practise relevant collision avoidance. Do not use Anchor Mode in busy channels or shipping fairways.

- Anchor Mode is Key 13, at bottom centre, with anchor icon.
- Press once to activate; alert tone should sound, status light should glow steady BLUE and boat should remain within 2m of the point where you hit the Anchor key. Remote display should indicate distance to Spot. It is preferable to slow down before entering Anchor Mode to avoid overrunning the target, as your Watersnake GPS motor returns to the exact position where key was activated.
- To quit Anchor Mode and revert to Manual Mode, press Anchor key 13 again. Exit alert tone will sound, status light will glow GREEN. Power in Manual Mode will default to last power level used in Anchor Mode.
- Fine repositioning adjustments can be made in Manual Mode – then press Anchor key again to anchor at your new location.

Your Watersnake GPS can save up to 16 spots and return to them at any time if they are less than 1km away. See Remote Instructions section for details.

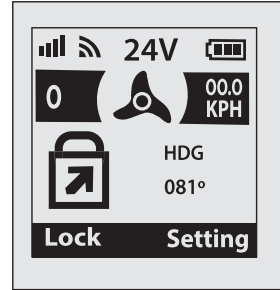


GPS USER INSTRUCTIONS

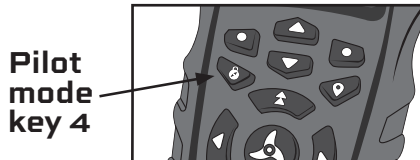
PILOT MODE

Pilot mode key is Key 4 (with compass icon).

- Pilot mode can be toggled between:
 - Heading mode (the direction the Watersnake GPS motor is pointed when Pilot mode key is activated.) Screen function area displays: Heading icon, target heading of motor.



Pilot Mode key is Key 4 (with compass icon).



- Pilot mode can be toggled between:
 - Heading Mode (the direction the Watersnake GPS motor is pointed when Pilot Mode key is activated) and
 - Course mode (the “true” course bearing as it would appear on a marine chart or GPS plotter screen.)
- You can choose between Heading and Course by selecting in the Fix menu, in the Settings section under the Red key.
- You can use the grey L or R steering keys on your Remote or L or R pedals on optional pedal control to adjust Heading or Course. A new heading direction or course will appear in Remote screen display.
- To quit Pilot Mode, simply press the Pilot mode key again.
- Foot pedal controls also operate in Pilot mode.
Learn how to operate Cruise control in Heading or Course mode by referring to the detailed Remote Instructions section.

GPS USER INSTRUCTIONS

GPS SPEED

The speed readings displayed on your remote indicate speed over the bottom or “speed over ground” and do not reflect the actual speed of your boat through the water. Water speeds are affected by wind, tides, current, wave action and many other variables.

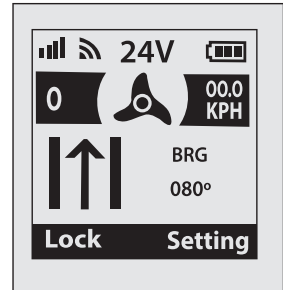
COURSE MODE

(the “true” course bearing as it would appear on a marine chart.)

Screen function area displays:

Course mode icon, course bearing from boat.

- Choose between heading and course by selecting settings section under red Key 3, then fix menu.
- You can use the grey L or R keys to readjust heading or course. A new heading direction or course will appear in the remote screen.
- To quit Pilot mode, simply press the Pilot mode key again.
- Foot pedal controls also operate in Pilot mode.



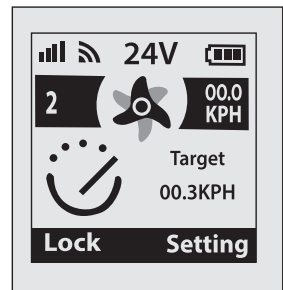
CRUISE CONTROL

Press the cruise key 12 to enter or exit this mode. In this mode, the motor will run at a selected “speed over ground”, ie, GPS speed in relation to the bottom – not the speed in relation to current, wind, tide or other effects on the boat as it travels on the water. Screen Function area displays: current target speed.

To adjust speed in cruise mode, depress grey Speed Up or Speed down keys (Keys 7 and 11).

Speed over ground will increase or decrease by 0.2kmh for every keystroke.

Note: Cruise function cannot be started when propeller is not turning. Cruise function can be operated simultaneously with Navigate mode or Course/Heading mode.



GPS USER INSTRUCTIONS

TRACK RECORDING

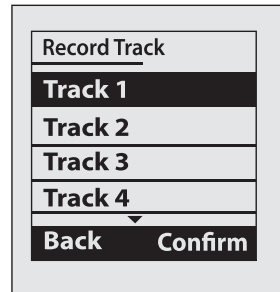
Your Watersnake GPS can record 16 Tracks, each up to 5km long.

To record a track, press Key 14. Select Track number and Confirm Function displays: Distance recorded below Record symbol: Menu display: Select Exit to abort route recording; select Finish to save the current recorded route. Remote will ask you to assign a number from 1-16 to your saved track. To delete an existing track, assign new saved track to that number; ie, overwrite to delete. Track is recorded but speed is not saved. Status light is BLUE.

NOTE: You may record a track while your Watersnake GPS is simultaneously in Cruise Mode.

NOTE: You may record a track while your Watersnake GPS is simultaneously in Cruise Mode (Key 12) and Heading/Course Mode.

NOTE: Anchor Mode and Track Record cannot operate simultaneously.



GPS USER INSTRUCTIONS

NAVIGATE MODE

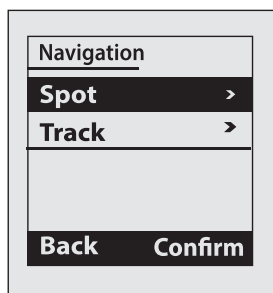
When entering or resuming Navigate Mode, ensure that no hazard such as shallows, snags or rocks lie in a direct path between your vessel and the Spot or Track it is navigating to. If there is a bridge or a waterway surrounded by high buildings between your vessel and the Spot or Track, your Watersnake GPS also may lose satellite signal and fail to proceed on its navigated course. Maintain a safe speed and keep a proper lookout at all times when in Navigate Mode.

Navigate mode enables the user to precisely follow a saved track, turn by turn, up to 5km long. It is particularly helpful for trollers, who can use Navigate in conjunction with Cruise mode to get perfect lure speed. Lure casters might prefer to use Navigate to work a saved track along a shoreline, adjusting speed manually as they work specific areas before moving on.

Select Navigate mode, Key 6, to enable your Watersnake GPS motor to navigate back to a saved Spot or Track within 1km away.



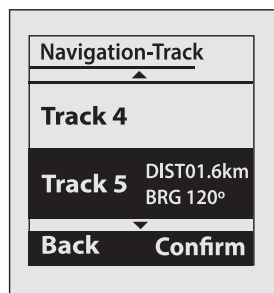
- To navigate back to a saved Spot, press Key 6 to enter Navigate mode, then use Menu keys to select the saved Spot number (within 1km away), press Confirm. Select speed, apply power and your Watersnake GPS will navigate back to that spot. Once reached, it will enter Anchor mode. Function screen displays Spot #, Distance to, Bearing to. Menu screen displays: Back, Confirm.



- To navigate back to a saved Track and then follow it, press Key 6 to enter Navigate mode. Then use Menu keys to select Track number, press Confirm, select which way along your chosen track to proceed (start/end), and your Watersnake GPS will navigate back to the start/end of that track. Once the track end is reached, motor will enter Anchor mode. You can also select other end modes in the Settings menu.

Function screen displays; Spot #, Distance to, Bearing to Menu screen displays: Back, Confirm

NOTE: You may navigate to or along a track or to a spot while your Watersnake GPS is in Cruise Mode.



GPS USER INSTRUCTIONS

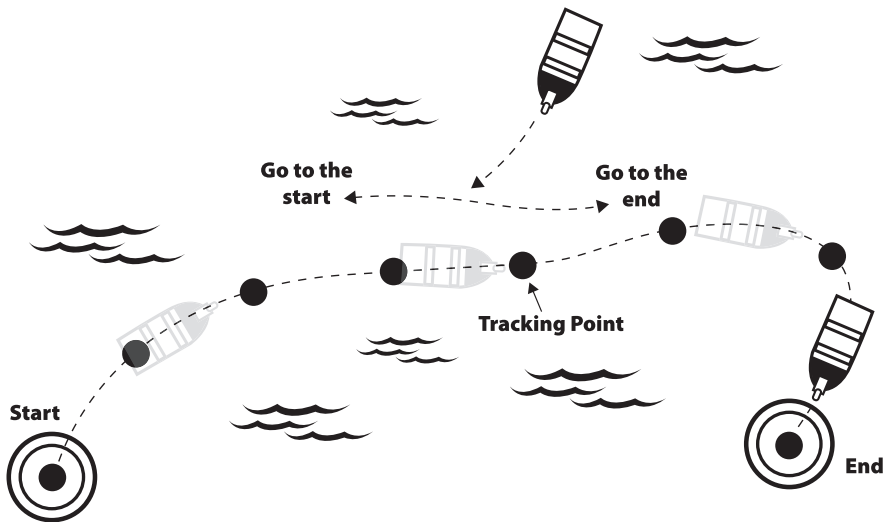
NAVIGATE MODE (CONTINUED)

Your Watersnake GPS will follow a recorded Track from either end by reversing Track Start. Remote screen function area will display length of Track remaining. Each of the 16 savable tracks can be up to 5km long.

NOTE: You may halt progress along your selected track at any time by ceasing to apply power. You may break away from your selected track by pressing the Navigate key again to quit navigate Mode and then enter Manual Mode or Anchor Mode, eg, to fight and land a fish.

To rejoin your track, press Navigate again, select your track number, Confirm, apply power and your Watersnake GPS will take you back to the closest point on your track and then resume navigation.

Again, ensure no hazard lies in a direct path between your vessel and the Track you intend to resume. Maintain a safe speed and keep a proper lookout at all times.



NAV SENSOR OPERATION INSTRUCTIONS

- 1. DEPLOYMENT:** Ensure that the helix wire is not wrapped around the motor shaft or twisted when lowering into the water. Turn on the trolling motor and the heading sensor will be operational.
- 2. UNTWISTING FUNCTION:** If the helix wire rotates more than 360 ° in the same direction when using the course-fix, heading-fix, automatic navigation and anchor mode, the heading sensor will initiate an untwisting operation. During this operation, the motor will temporarily stop and untwist. The electric motor resumes operation upon completion.
- 3. JOG FUNCTION:** When the trolling motor is in anchor mode, the user can press the acceleration (forwards), deceleration (backwards), turn left (left), and turn right (right) buttons on the remote control to operate and direct the jog function. The four jog directions act as coordinates relative to the current boat direction. With each press, the trolling motor moves in 1-metre increments. The user can press the same direction continuously to accumulate a distance of up to 10 metres.



INDICATOR LIGHTS:

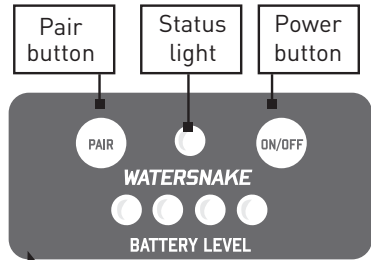
- **WHITE LIGHT** – FAST FLASHING --- STARTING
- **GREEN LIGHT** – SLOW FLASHING --- NORMAL OPERATION
- **GREEN LIGHT** – FAST FLASHING --- EXCESSIVE TILT ANGLE
- **BLUE LIGHT** – SLOW FLASHING --- MAGNETOMETER CALIBRATION
- **RED LIGHT** – SLOW FLASHING --- COMMUNICATION INTERRUPTION
- **RED LIGHT** – FAST FLASHING --- SENSOR DISTURBED OR DAMAGED

HOW TO PAIR THE REMOTE CONTROL TO THE MOTOR

If the remote control unit becomes unpaired and cannot be connected to the motor (No green status light) please take the following steps.

STEP 1:

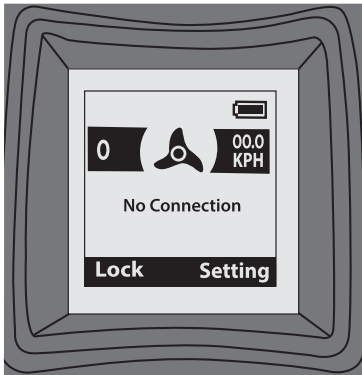
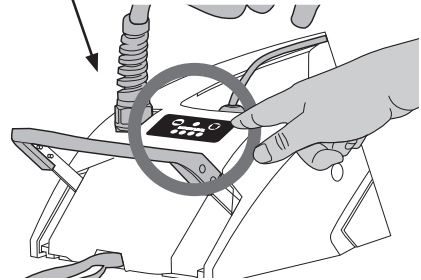
Deploy the motor and press the power button (On/Off) to power up the motor. The top centre green status light will be flashing slowly.



STEP 2:

Power up the remote control by holding down the red button with the white circle for 2-3 seconds until you see the backlight on the screen turn on.

If the remote control is not paired the screen will indicate no connection as shown below.



HOW TO PAIR THE REMOTE CONTROL TO THE MOTOR

STEP 3:

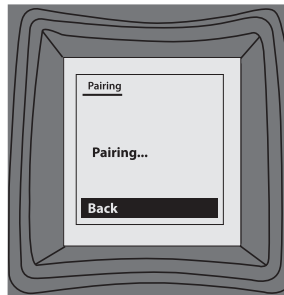
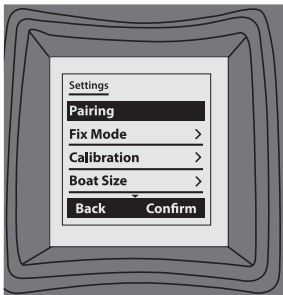
At the bottom of the screen you will see the words "Lock" and "Setting". Press the red button with the white circle to enter the settings menu.



STEP 4:

After entering the settings menu the Pairing option will already be selected. Press the red button with the white circle again to enter pairing mode.

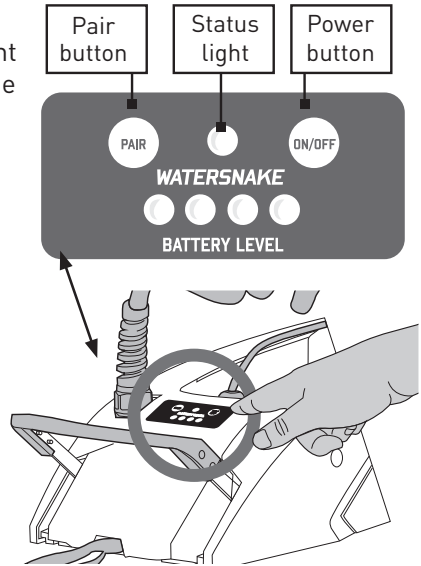
The screen will indicate the remote is now in pairing mode and looking for the motor.



HOW TO PAIR THE REMOTE CONTROL TO THE MOTOR

STEP 5:

Go Back to the motor bracket the status light should still be flashing slowly. Hold down the pair button until it beeps quickly 4-5 times and you hear the shave an a haircut sound. Your motor should now be paired.



YOUR REMOTE SHOULD NOW BE CONNECTED.

Test that the remote control unit controls the motor as expected. If it doesn't turn the motor or spin the propeller, turn the remote off, turn the remote on and repeat repeat steps 2 and 5. If you are continuing to have trouble connecting your motor to the remote please contact watersnake by filling out the contact us form on the watersnake website.

<https://www.watersnake.com.au/pages/contact>

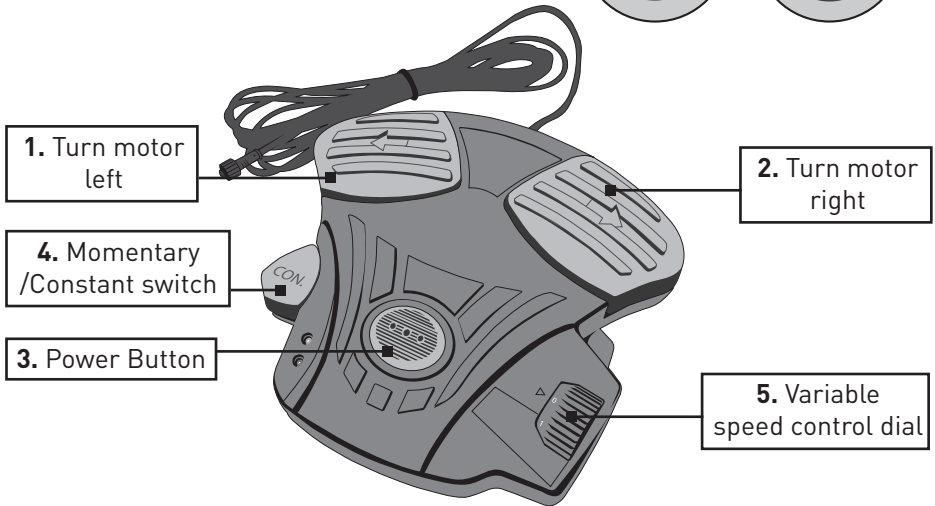
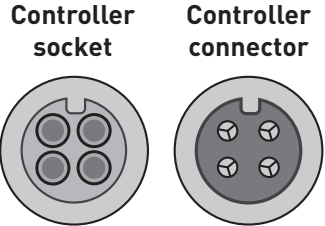
Alternatively you can also scan this QR code to be taken to the contact form.



OPTIONAL FOOT PEDAL CONTROLLER

1. The optional foot pedal controller (sold separately) allows you to control your motor hands free. It includes a variable speed control dial for infinite speed adjustment.
2. To connect the foot pedal controller to the motor unscrew a cap from one of the two short leads coming from the back of the motor bracket. Plug the foot pedal controller cable in and tighten the screw in locking collar to finger tightness.

Please note: The foot controller plug is keyed. Please take care to connect the foot controller plug correctly.



- (1) Turn the motor to the left by depressing Button 1.
- (2) Turn the motor to the right but depressing Button 2.
- (3) Use your heel to apply power by depressing Button 3.
- (4) Momentary/constant switch. Toggling this switch alternately allows the user to apply power momentarily, whenever the power button (3) is held down (adjacent red LED is lit), or constantly, without touching power button (adjacent green LED is also illuminated).
- (5) Variable speed control dial.

RECOMMENDATIONS

WHEN USING YOUR WATERSNAKE MOTOR IN THE WATER

Upon connecting your batteries to your motor, and before setting off in your boat, make sure that your trolling motor is mounted correctly and stowed securely. Of course once you engage your Watersnake motor for use make sure it is set to the ideal depth. About 30cm from the water surface to the top of the propeller. When you are taking off gradually increase the speed of your trolling motor, do not accelerate it up to full speed right away. For example, if you have a 5 speed trolling motor, don't click through all of the other speeds really fast to get to 5, slowly go up to 1 speed, 2 speed, and so on. It is recommended not to run your trolling motor out of water for long periods of time.

AFTER EVERY USE

- Check your remote control is turned off.
- Disconnect motor from batteries. This can be done by simply disconnecting the Anderson plugs.
- Check Anderson plugs are clean and corrosion free.
- A light spray of WD40 inside your Anderson plugs will reduce corrosion and build-up.
- Recharge batteries as soon as possible.
- Wipe down the Watersnake motor with a damp sponge, even after freshwater use. Do not use high pressure as it may drive water and salt inside the motor. Concentrate on areas where salt, dirt and weed fragments are likely to lodge – propeller, motor housing, composite shaft, turnbox, depth collar and exposed parts of deck mount assembly.
- Deploy your motor and wipe the shaft clean of any salt or dirt. It is recommended to lubricate the shaft before stowing the motor for storage.
- Wipe these areas with a cloth soaked in warm soapy water and allow to dry.
- Apply a light coating of a non-staining silicone, petroleum-based or lanolin spray to protect and lubricate exposed parts. Wipe over with a soft, dry cloth.
- Store your Watersnake motor disconnected from its batteries.
- If boat is stored outdoors, remove Watersnake and store securely indoors in a cool, dry place.
- If your Watersnake motor is permanently mounted to the boat outdoors, protect it from sun and rain with a tarpaulin or other cover.
- Lengthy exposure to the elements can affect your motor and it's warranty.

MAINTENANCE

MAINTENANCE PERIODICALLY DURING THE SEASON

- Disconnect motor from batteries. Inspect battery terminals and cables for signs of corrosion. Remove buildup with a small wire brush and treat with anti-corrosion spray.
- Check Anderson plugs are clean and corrosion free.
- A light spray of WD40 inside your Anderson plugs will reduce corrosion and build-up.
- Apply a silicone, lanolin or carnauba wax coating to the composite shaft to ensure free running through the turnbox.
- Remove left and right side covers from the deck mount assembly with Phillips head screwdriver and remove any dirt, salt, mud or debris inside. Gently rinse with fresh water, allow to dry and apply marine grease to all friction points, such as the stow and deploy mechanism.
- Check for any loose screws/bolts, fasteners in deck mount assembly and upper quick release plate. Re-Tighten as required.
- Remove motor from bottom quick-release plate and check tightness of bolts against foredeck/gunwale of your boat. Retighten as required.
- Check condition of Remote batteries for corrosion or leakage. Replace if suspect.

END OF SEASON, LONG-TERM STORAGE

- Disconnect motor from batteries.
- Inspect battery terminals and cables for signs of corrosion. Remove buildup with a wire brush and treat with anti-corrosion spray.
- Check Anderson plugs are clean and corrosive free.
- A light spray of WD40 inside your Anderson plugs will reduce corrosion and build-up.
- Disconnect pedal control. (If you have one)
- Apply a silicone, lanolin or carnauba wax coating to the composite shaft to ensure free running through the turnbox.
- Remove the side covers from the mounting bracket. Clean any dirt, debris or corrosion from the mechanism and reapply marine grease to any moving parts.
- Remove batteries from Remote control.
- Remove motor from boat and store in a cool, dry place away from temperature extremes. Cover your Watersnake motor to prevent dust and dirt buildup.
- Apply Dielectric grease to electronics.

TROUBLESHOOTING

A significant number of issues can be caused by a disruption of power supplied to your Watersnake motor. Careful inspection of your 2 x 12v deep cycle or LiFePO4 batteries, wiring and set up should be completed before assuming that there is a fault with your motor.

NO POWER / REDUCED POWER

NOTE – Your Watersnake motor is fitted with a tilt switch that prevents the motor from running unless it is in the deployed (vertical) position.

- Check the battery connections have not been reversed (reversed polarity).
- Check that your 2 x 12v deep cycle or 2 x 12v LiFePO4 or 1 x 24v LiFePO4 battery is fully charged (+ 24v).
- Check terminals / connections are secure and not loose.
- Check terminals / connections for any signs of damage, corrosion or build up of debris including Anderson plugs.
- If the batteries leads have been extended, ensure correct gauge wire has been used (refer to table on page 19 of manual).
- Remove propeller and check for any build up of fishing line / weed or any other debris.
- Check that propeller pin (shear pin) is in place.
- Armature or magnet cracked or dislodged – grinding noise will come from motor (CONTACT WATERSNAKE).

NOISE OR VIBRATION COMING FROM MOTOR

Check that propeller is securely tightened and shear pin is in place
Remove propeller and check for any build up of fishing line / weed or any other debris.

- Check that your 2 x 12v deep cycle or LiFePO4 batteries are fully charged (+ 24v).

MOTOR WILL NOT RUN AT VARIABLE SPEEDS

- Check that your 2 x 12v deep cycle or 2 x 12v LiFePO4 or 1 x 24v LiFePO4 battery is fully charged (+ 24v).
- Check terminals / connections are secure and not loose.
- Check terminals / connections for any signs of damage, corrosion or build up of debris including Anderson plugs.
- Ensure motor is on and remote batteries have charge.

TROUBLESHOOTING

MOTOR HAS DIFFICULTY STEERING

- Check if coiled power lead from base to motor head is tangled/knotted around shaft. Stop and unravel or raise shaft from turnbox collar and manually rotate to disentangle.

MOTOR WILL NOT STAY IN ANCHOR MODE

- Check Remote display for GPS signal – top left 4 bars for signal quality. Restart Base Assembly and Remote to establish connectivity and satellite reception.
- Check pairing of Remote and Base Assembly. With power on Remote and Base, press Pairing button on Base housing and await “shave and a haircut” pairing signal.
- Check Anchor mode is engaged.
- Check Anchor spot is within 1km of current position (distance should appear on Remote display).
- Check batteries have sufficient power (voltage appears on top line of Remote display).
- Check coiled upper power lead for tangling.
- Check in Remote/Menu/Settings/Boat size that it conforms with your craft.
- Check current, wind, tide conditions are within operational parameters of motor. Motor is unable to hold position if wind/water conditions produce boat drift exceeding potential top speed of motor, eg, around 6kmh..

DIFFICULTY DEPLOYING OR STOWING

- Ensure you follow correct deploy/stow process (refer Stow and Deploy section in this manual. Pages 22-27).
- Check for obstructions within the mounting assembly.
- Lubricate shaft with spray lubricant. Concentrate spray on area where shaft runs through turnbox.
- Clean any debris from the mounting bracket.
- Remove the side covers from the mounting bracket and apply marine grease to moving parts of the stow/deploy mechanism

TROUBLESHOOTING

REMOTE CONTROL

- Blank remote screen – not operational – 3 x AAA batteries may need replacement. Phillips head screwdriver required.
- Screen message “No Connection” –
- Check Base Unit has powered up and status light shows GREEN
- Try restarting base assembly processor and Remote control by powering off and restarting each.
- Check pairing of remote with base unit by pressing left “Pairing” button on base when remote is on. “Shave-and-a-haircut” peeps indicate pairing established.

ERROR MESSAGES

If an error message is displayed on the Remote Control unit, an error has occurred with the motor control system. Please note the contents of the error message and/or photograph the FOB display message and contact Watersnake Service via the website contact centre (<https://www.jarviswalker.com.au/contact>) to receive more detailed instructions on how the problem can be resolved.

OPTIONAL FOOT CONTROL

- Check that foot control cable plug is firmly connected and locked in.
- Check for debris that may affect operation of pedal controls and cable connections.
- Check speed control dial is not set to zero
- Restart base unit and recheck.

SERVICING

SERVICING YOUR WATERSNAKE ELECTRIC MOTOR

When it's time for your Watersnake electric motor to be serviced, it is recommended you choose to use an Authorised Service Agent such as Anglers' Central Service Centre to perform the service.

For Australian residents, you can find up to date contact details on our website.

Vist: www.watersnake.com.au/pages/watersnake-motors-spare-parts
alternatively you can scan the QR code.



Outside Australia, please contact your local distributor as listed on the back page of this booklet.

Watersnake electric motors are precision instruments that rely on exacting alignment of numerous components; it is worth considering taking your electric motor to an Authorised Service Agent for servicing.

IMPORTANT!

If you choose to service the electric motor yourself or through any other third party not authorised by Watersnake Distribution Pty Ltd to service Watersnake motors, the motor will no longer be covered under the normal consumer guarantees. Items or issues from that time on and thereafter will be the sole responsibility of the owner. It is important to make sure you use good quality grease, and remember do not over lubricate. Small amounts of grease in the correct places are more important.

SPECIFICATIONS

WATERSNAKE GEO SPOT 80LB / 66" SHAFT MODELS

MODELS	CODE: 55317	NAME: GEO-SPOT 80/66 WHITE SALTWATER MOTOR
VOLTAGE (V)	24 VOLT	
MAX.THRUST (LB)	80LB	
MAX.RPM	1900r/min (No load)	
SPEEDS	VARIABLE	
SHAFT LENGTH (IN)	66" / 167cm	
SHAFT WALL	2.5mm	
SHAFT DIAMETER	30mm	
AVERAGE AMP DRAW (A)	35A	
MAX AMP DRAW (A)	40A	
MAX POWER (Watts)	960W INPUT 620W OUTPUT	
PROP	3 BLADE-WEEDLESS (PITCH 94mm)	
REMOTE CONTROL	DIGITAL REMOTE	
FOOT CONTROL	OPTIONAL	
MOUNTING	BOW MOUNT	
WIRE GAUGE	10AWG (5.2mm ²)	
REQUIRED BATTERIES	2 x 12v DEEP CYCLE OR LiFePO4	
MIN. RECOMMENDED BATTERY SIZE	100 AMP HOUR *	
MAX SUGGESTED LOADED BOAT WEIGHT	800KG-1200KG	
MOTOR WEIGHT	27KG	

*** NOTE** - this is to be used as a guide only. Check with your battery supplier to confirm required size of the 2 x 12 volt deep cycle or 2 x 12v LiFePO4 or 1 x 24v LiFePO4 battery that will be appropriate for your situation. Your Watersnake Geo Spot motor is fitted with built in voltage protection, current protection and overheating temperature control. The use of a circuit breaker is not required.

SPECIFICATIONS

WATERSNAKE GEO SPOT 80LB / 72" SHAFT MODELS

MODELS	CODE: 55320	NAME: GEO-SPOT 80/72 WHITE SALTWATER MOTOR
VOLTAGE (V)	24 VOLT	
MAX.THRUST (LB)	80LB	
MAX.RPM	1900r/min (No load)	
SPEEDS	VARIABLE	
SHAFT LENGTH (IN)	72" / 182cm	
SHAFT WALL	5mm	
SHAFT DIAMETER	30mm	
AVERAGE AMP DRAW (A)	35A	
MAX AMP DRAW (A)	40A	
MAX POWER (Watts)	960W INPUT 620W OUTPUT	
PROP	3 BLADE-WEEDLESS (PITCH 94mm)	
REMOTE CONTROL	DIGITAL REMOTE	
FOOT CONTROL	OPTIONAL	
MOUNTING	BOW MOUNT	
WIRE GAUGE	10AWG (5.2mm ²)	
REQUIRED BATTERIES	2 x 12v DEEP CYCLE OR LiFePO4	
MIN. RECOMMENDED BATTERY SIZE	100 AMP HOUR *	
MAX SUGGESTED LOADED BOAT WEIGHT	800KG-1200KG	
MOTOR WEIGHT	33KG	

*** NOTE** - this is to be used as a guide only. Check with your battery supplier to confirm required size of the 2 x 12 volt deep cycle or 2 x 12v LiFePO4 or 1 x 24v LiFePO4 battery that will be appropriate for your situation. Your Watersnake Geo Spot motor is fitted with built in voltage protection, current protection and overheating temperature control. The use of a circuit breaker is not required.

SPECIFICATIONS

WATERSNAKE GEO SPOT 80LB / 78" SHAFT MODELS

MODELS	CODE: 55321	NAME: GEO-SPOT 80/78 WHITE SALTWATER MOTOR
VOLTAGE (V)	24 VOLT	
MAX.THRUST (LB)	80LB	
MAX.RPM	1900r/min (No load)	
SPEEDS	VARIABLE	
SHAFT LENGTH (IN)	78" / 198cm	
SHAFT WALL	5mm	
SHAFT DIAMETER	30mm	
AVERAGE AMP DRAW (A)	35A	
MAX AMP DRAW (A)	40A	
MAX POWER (Watts)	960W INPUT 620W OUTPUT	
PROP	3 BLADE-WEEDLESS (PITCH 94mm)	
REMOTE CONTROL	DIGITAL REMOTE	
FOOT CONTROL	OPTIONAL	
MOUNTING	BOW MOUNT	
WIRE GAUGE	10AWG (5.2mm ²)	
REQUIRED BATTERIES	2 x 12v DEEP CYCLE OR LiFePO4	
MIN. RECOMMENDED BATTERY SIZE	100 AMP HOUR *	
MAX SUGGESTED LOADED BOAT WEIGHT	800KG-1200KG	
MOTOR WEIGHT	34KG	

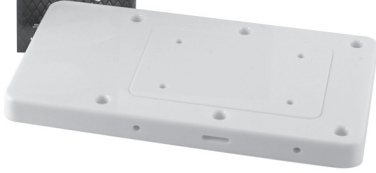
*** NOTE** - this is to be used as a guide only. Check with your battery supplier to confirm required size of the 2 x 12 volt deep cycle or 2 x 12v LiFePO4 or 1 x 24v LiFePO4 battery that will be appropriate for your situation. Your Watersnake Geo Spot motor is fitted with built in voltage protection, current protection and overheating temperature control. The use of a circuit breaker is not required.

OPTIONAL ACCESSORIES

To order your Watersnake optional accessories, visit:
www.anglerscentral.com.au



**Nylon
Quick Release
Bracket 5552**



**Alloy
Quick Release
Bracket 55016**



Foot Control 55532

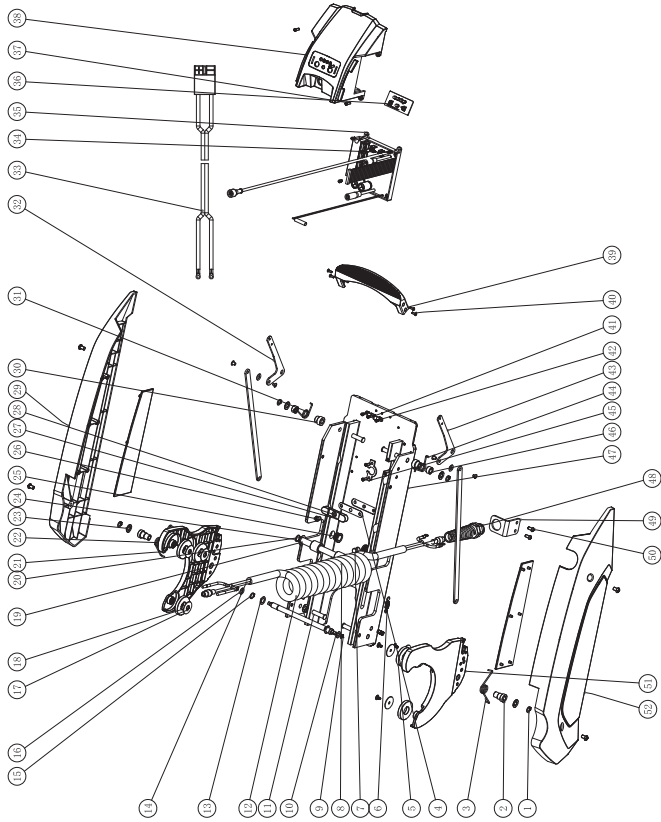


**Spare Propeller Kit
55535**

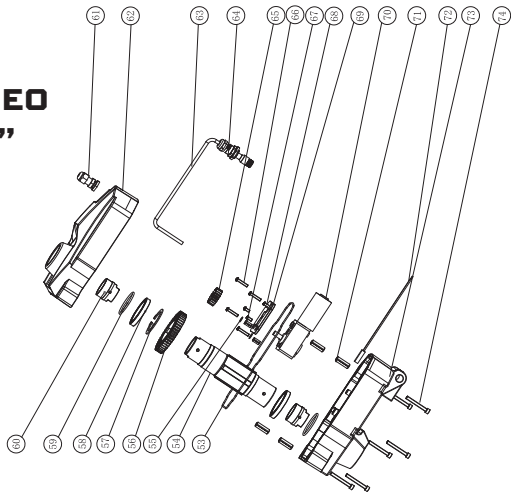


**Propeller
Accessory Kit
55132**

SCHEMATICS AND PARTS LIST



55317 WATERSNAKE GEO SPOT 80LB / 66" MODEL



**TO ORDER
YOUR WATERSNAKE
STEALTH PARTS, VISIT:
www.anglerscentral.com.au**

PART NO.

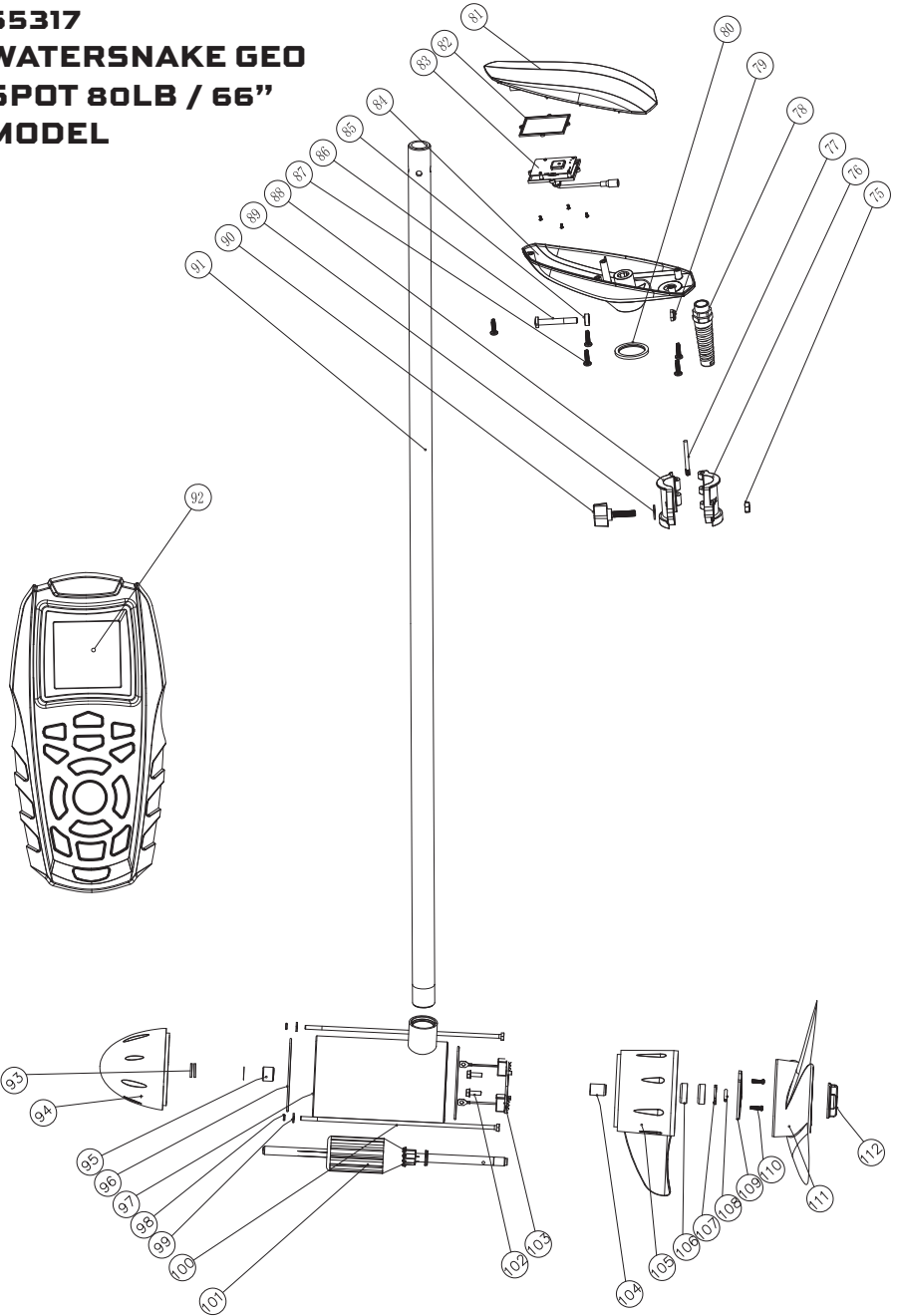
51	HP6. 154. 021. 000	Right movable plate assembly	1
50	HP8. 902. 198. 000	Screw	2
49	HP8. 611. 221. 000	Fixed frame	1
48	HP8. 354. 019. 000	Cable gland	1
47	HP8. 601. 093. 024	Bottom plate	1
46	HP8. 223. 124. 000	bushing	2
45	HP8. 667. 044. 000	Securing clip	1
44	HP8. 383. 127. 000	Left torsion spring	1
43	HP6. 201. 047. 000	Right link assembly	1
42	HP8. 902. 017. 000	screw	3
41	HP8. 610. 193. 000	Pressure plate	1
40	HP8. 902. 201. 045	Screw M3X8	4
39	HP8. 335. 002. 000	pedal	1
38	HP8. 010. 146. 8000	The front cover	1
37	HP8. 902. 193. 045	Screw	6
36	HP6. 672. 187. 000	Display board assembly	1
35	HP6. 702. 160. 000	Drive controller	1
34	HP8. 902. 024. 000	Screw	3
33	HP6. 647. 252. 000	Power cord assembly	1
32	HP6. 201. 046. 000	Left link assembly	1
31	HP8. 383. 128. 000	Right twist	1
30	HP8. 211. 022. 000	Crank sleeve	2
29	HP6. 176. 032. 008	Left panel assembly	1
28	HP8. 902. 559. 000	Screw	1
27	HP8. 683. 041. 000	Elastic cushion	1
26	HP8. 902. 384. 000	Screw	4
25	HP8. 211. 004. 000	Nested	2
24	HP8. 247. 192. 000	Elastic retaining ring for shaft	2
23	HP8. 941. 373. 000	washer	6
22	HP6. 154. 020. 000	Left movable plate assembly	1
21	HP8. 383. 218. 000	Left-handed torsion spring	1
20	HP8. 941. 306. 000	Gasket	2
19	HP8. 303. 043. 000	Axis of rotation	1
18	HP8. 940. 871. 000	Was	6
17	HP8. 903. 219. 000	Screw	6
16	HP8. 940. 056. 000	Transmission gear washers	2
15	HP8. 247. 190. 000	Elastic retaining ring for shaft	2
14	HP6. 647. 290. 000	Spiral component	1
13	HP8. 940. 625. 000	Flat Washers	2
12	HP8. 264. 820. 000	Cylindrical pin	2
11	HP8. 264. 819. 000	pin	4
10	HP8. 306. 129. 000	axis	1
9	HP8. 247. 191. 000	Elastic retaining ring for shaft	2
8	HP8. 223. 123. 000	bushing	2
7	HP8. 530. 119. 006	magnetic steel	1
6	HP8. 381. 059. 000	Tension spring	2
5	HP8. 245. 214. 000	Brushed damping wheel	6
4	HP8. 941. 178. 000	Gasket	1
3	HP8. 383. 219. 000	Right-handed torsion spring	1
2	HP8. 220. 494. 000	Positioning sleeve	2
1	HP8. 247. 172. 000	Circclip	4
NO.	DRAWING NO.	PART NAME	QTY

PART NO.

74	HP8. 902. 544. 000	Screw	6
73	HP8. 010. 150. 158	Steering box lower cover	1
72	HP7. 330. 024. 000	Proximity switch	1
71	HP8. 264. 817. 000	Elastic cylindrical pin	4
70	HP6. 714. 032. 000	Steering motor	1
69	HP8. 610. 424. 024	Fixed plate	1
68	HP8. 902. 571. 000	Screw	3
67	HP8. 264. 818. 000	Elastic cylindrical pin	2
66	HP8. 902. 199. 045	Screw	4
65	HP8. 435. 797. 000	gear	1
64	HP8. 354. 032. 000	Waterproof connector	1
63	HP6. 647. 286. 000	4-core assembly	1
62	HP8. 010. 151. 158	Steering box upper cover	1
61	HP8. 354. 029. 000	Waterproof connector	1
60	HP8. 210. 450. 000	bushing	2
59	HP8. 662. 145. 000	O-ring	2
58	HP6. 263. 067. 002	Bearing	2
57	HP8. 247. 193. 000	Circclip for shaft	1
56	HP8. 415. 193. 000	gear	1
55	HP8. 940. 673. 000	Flat Washers	2
54	HP8. 211. 005. 027	casing	1
53	HP8. 662. 175. 000	O-ring	1
52	HP6. 176. 033. 008	Right side panel assembly	1

SCHEMATICS AND PARTS LIST

**55317
WATERSNAKE GEO
SPOT 80LB / 66”
MODEL**

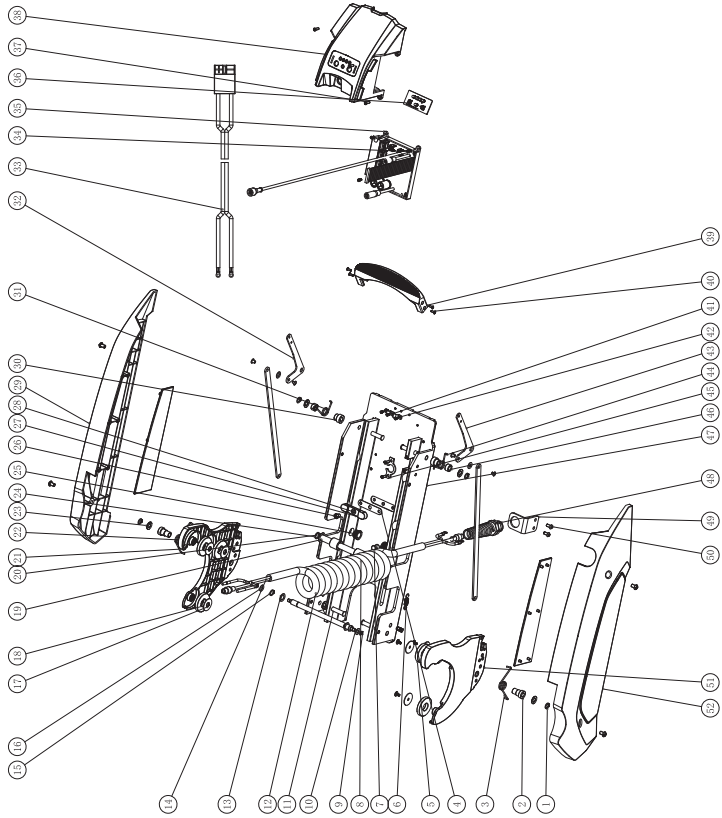


PART NO.

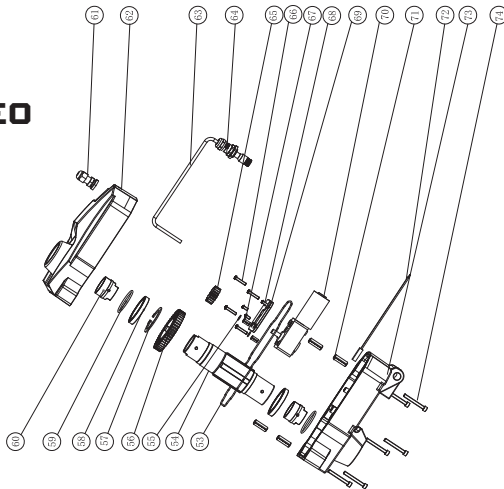
112	HP6.482.001.000	prop nut	1
111	HP6.393.009.8001	prop	1
110	HP8.903.187.000	screw	2
109	HP7.690.001.000	sacrificial anode	1
108	HP8.264.157.000	pin	1
107	HP8.683.049.045	retainer ring	1
106	HP6.475.000.000	sealing ring	2
105	HP8.010.070.158	front cover	1
104	HP8.251.000.000	oil bearing	1
103	HP6.670.107.000	brush frame assy	1
102	HP8.903.060.007	bolt	2
101	HP6.656.021.000	rotor assy	1
100	HP8.926.018.000	connecting screw rod	2
99	HP8.610.049.000	hexagonal washer	2
98	HP8.662.015.000	mini O-sealing ring	2
97	HP6.652.015.002	stator assy	1
96	HP8.662.016.000	o-sealing ring	2
95	HP8.251.001.000	oil bearing	1
94	HP8.010.071.158	back cover	1
93	HP6.260.000.000	thrust bearing	1
92	HP6.789.006.006	remote controller	1
91	HP8.626.198.091	shaft	1
90	HP6.480.014.000	bolt	1
89	HP8.940.313.000	washer	1
88	HP8.242.153.000	right body of depth adjustment collar	1
87	HP8.903.059.000	screw	5
86	HP8.926.045.000	bolt	1
85	HP8.220.378.070	bushing	1
84	HP8.076.337.8006	bottom cover	1
83	HP6.702.141.000	GPS controller	1
82	HP8.683.137.000	sealing ring	1
81	HP8.076.336.8005	top cover	1
80	HP8.662.083.000	sealing ring	1
79	HP6.482.000.000	lock nut	1
78	HP8.354.019.000	cable fixing head	1
77	HP8.264.468.000	pin	1
76	HP8.242.152.000	left body of depth adjustment collar	1
75	HP8.379.073.000	nut	1
No.	DRAWING NO.	PART NAME	Q'TY

**TO ORDER
YOUR WATERSNAKE
STEALTH PARTS, VISIT:
www.anglerscentral.com.au**

SCHEMATICS AND PARTS LIST



55320 WATERSNAKE GEO SPOT 80LB / 72" MODEL

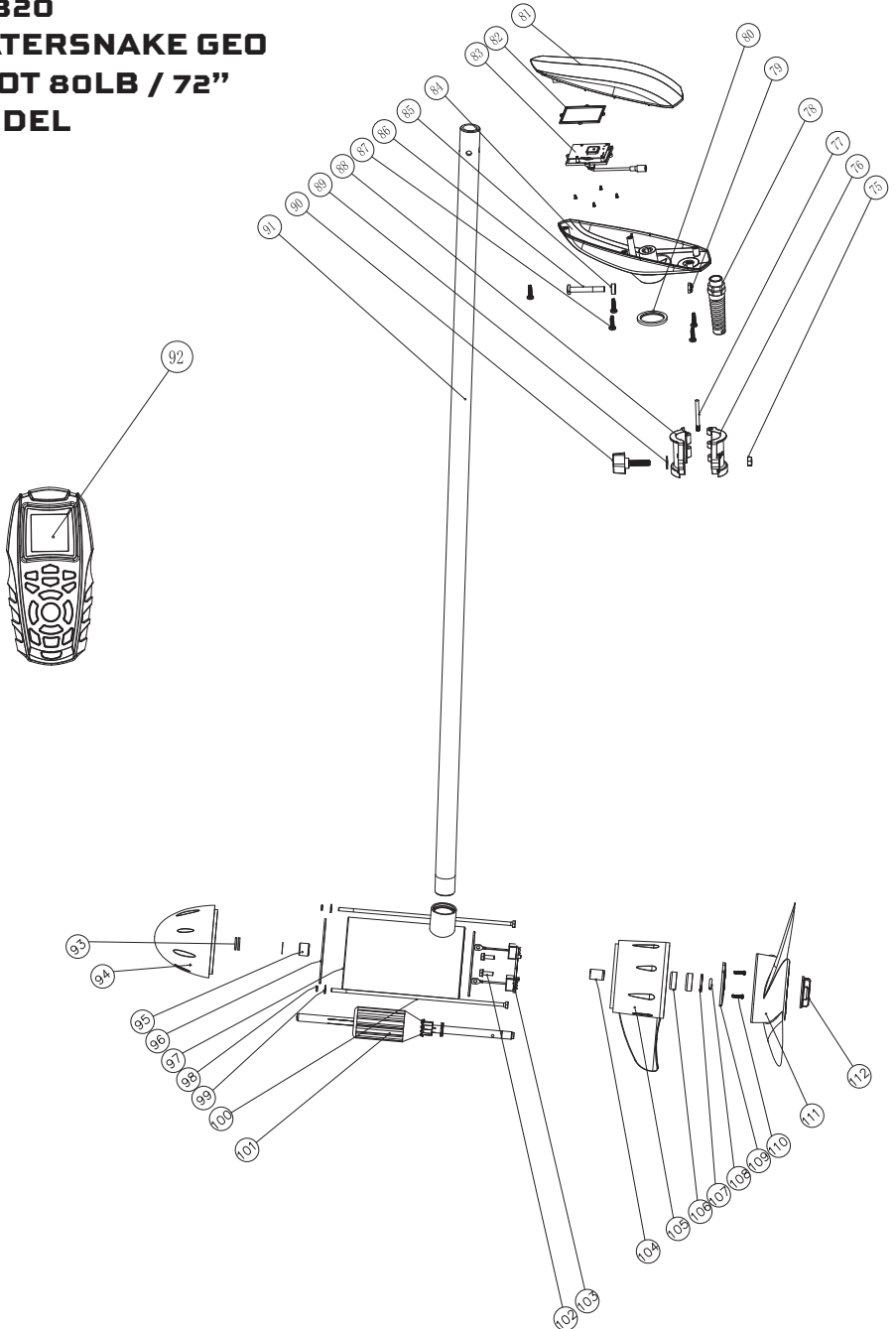


**TO ORDER
YOUR WATERSNAKE
STEALTH PARTS, VISIT:
www.anglerscentral.com.au**

				PART NO.			
51	HP6. 154. 021. 000					Right movable plate assembly	1
50	HP8. 902. 198. 000					Screw	2
49	HP8. 611. 221. 000					Fixed frame	1
48	HP8. 354. 019. 000					Cable gland	1
47	HP8. 601. 093. 024					Bottom plate	1
46	HP8. 223. 124. 000					bushing	2
45	HP8. 667. 044. 000					Securing clip	1
44	HP8. 383. 127. 000					Left torsion spring	1
43	HP6. 201. 047. 000					Right link assembly	1
42	HP8. 902. 017. 000					screw	3
41	HP8. 610. 193. 000					Pressure plate	1
40	HP8. 902. 201. 045					Screw M3X8	4
39	HP8. 335. 002. 000					pedal	1
38	HP8. 010. 146. 8004					The front cover	1
37	HP8. 902. 193. 045					Screw	6
36	HP6. 672. 187. 000					Display board assembly	1
35	HP6. 702. 160. 000					Drive controller	1
34	HP8. 902. 024. 000					Screw	3
33	HP6. 647. 252. 000					Power cord assembly	1
32	HP6. 201. 046. 000					Left link assembly	1
31	HP8. 383. 128. 000					Right twist	1
30	HP8. 211. 022. 000					Crank sleeve	2
29	HP6. 176. 032. 008					Left panel assembly	1
28	HP8. 902. 559. 000					Screw	1
27	HP8. 683. 041. 000					Elastic cushion	1
26	HP8. 902. 384. 000					Screw	4
25	HP8. 211. 004. 000					Nested	2
24	HP8. 247. 192. 000					Elastic retaining ring for shaft	2
23	HP8. 941. 373. 000					washer	6
74	HP8. 902. 544. 000	Screw	6	22	HP6. 154. 020. 000	Left movable plate assembly	1
73	HP8. 010. 150. 158	Steering box lower cover	1	21	HP8. 383. 218. 000	Left-handed torsion spring	1
72	HP7. 330. 024. 000	Proximity switch	1	20	HP8. 941. 306. 000	Gasket	2
71	HP8. 264. 817. 000	Elastic cylindrical pin	4	19	HP8. 303. 043. 000	Axis of rotation	1
70	HP6. 714. 032. 000	Steering motor	1	18	HP8. 940. 871. 000	Was	6
69	HP8. 610. 424. 024	Fixed plate	1	17	HP8. 903. 219. 000	Screw	6
68	HP8. 902. 571. 000	Screw	3	16	HP8. 940. 056. 000	Transmission gear washers	2
67	HP8. 264. 818. 000	Elastic cylindrical pin	2	15	HP8. 247. 190. 000	Elastic retaining ring for shaft	2
66	HP8. 902. 199. 045	Screw	4	14	HP6. 647. 308. 000	Spiral component	1
65	HP8. 435. 797. 000	gear	1	13	HP8. 940. 625. 000	Flat Washers	2
64	HP8. 354. 032. 000	Waterproof connector	1	12	HP8. 264. 820. 000	Cylindrical pin	2
63	HP6. 647. 286. 000	4-core assembly	1	11	HP8. 264. 819. 000	pin	4
62	HP8. 010. 151. 158	Steering box upper cover	1	10	HP8. 306. 129. 000	axis	1
61	HP8. 354. 029. 000	Waterproof connector	1	9	HP8. 247. 191. 000	Elastic retaining ring for shaft	2
60	HP8. 210. 450. 000	bushing	2	8	HP8. 223. 123. 000	bushing	2
59	HP8. 662. 145. 000	O-ring	2	7	HP8. 530. 119. 006	magnetic steel	1
58	HP6. 263. 067. 002	Bearing	2	6	HP8. 381. 059. 000	Tension spring	2
57	HP8. 247. 193. 000	Circlip for shaft	1	5	HP8. 245. 214. 000	Brushed damping wheel	6
56	HP8. 415. 193. 000	gear	1	4	HP8. 941. 178. 000	Gasket	1
55	HP8. 940. 673. 000	Flat Washers	2	3	HP8. 383. 219. 000	Right-handed torsion spring	1
54	HP8. 211. 005. 027	casing	1	2	HP8. 220. 494. 000	Positioning sleeve	2
53	HP8. 662. 175. 000	O-ring	1	1	HP8. 247. 172. 000	Circlip	4
52	HP6. 176. 033. 008	Right side panel assembly	1	NO.	DRAWING NO.	PART NAME	QTY

SCHEMATICS AND PARTS LIST

55320
WATERSNAKE GEO
SPOT 80LB / 72"
MODEL

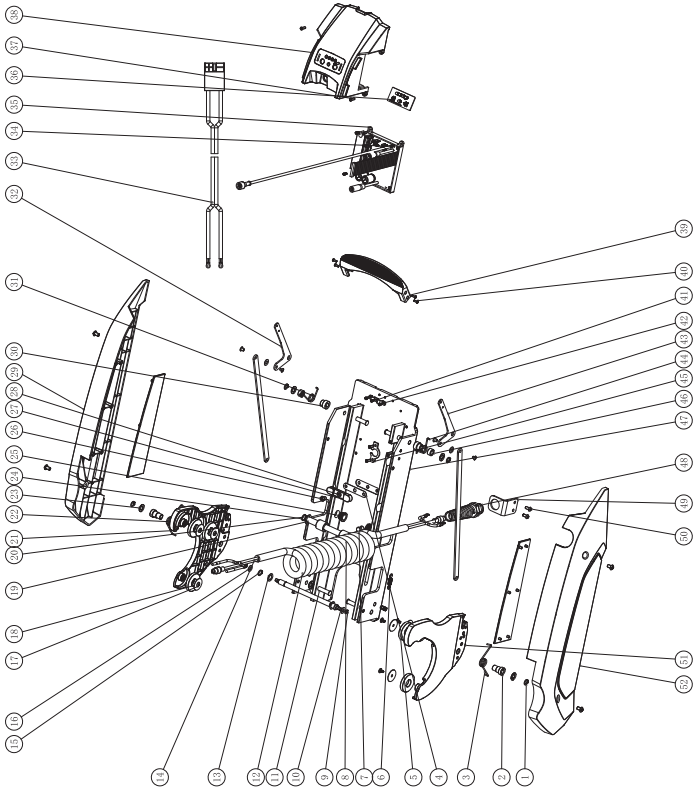


PART NO.

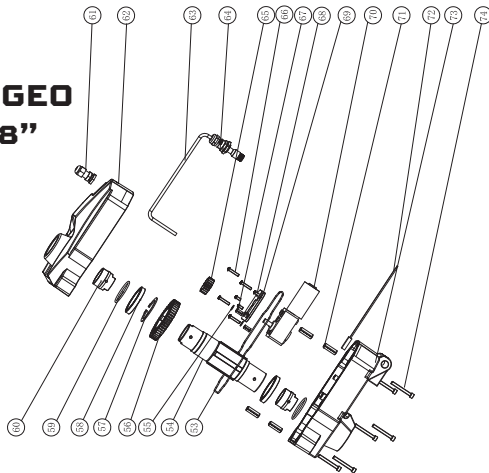
112	HP6.482.001.000	prop nut	1
111	HP6.393.009.8001	prop	1
110	HP8.903.187.000	screw	2
109	HP7.690.001.000	sacrificial anode	1
108	HP8.264.157.000	pin	1
107	HP8.683.049.045	retainer ring	1
106	HP6.475.000.000	sealing ring	2
105	HP8.010.070.158	front cover	1
104	HP8.251.000.000	oil bearing	1
103	HP6.670.115.000	brush frame assy	1
102	HP8.903.060.007	bolt	2
101	HP6.656.021.000	rotor assy	1
100	HP8.926.018.000	connecting screw rod	2
99	HP8.610.049.000	hexagonal washer	2
98	HP8.662.015.000	mini O-sealing ring	2
97	HP6.652.015.002	stator assy	1
96	HP8.662.016.000	o-sealing ring	2
95	HP8.251.001.000	oil bearing	1
94	HP8.010.071.158	back cover	1
93	HP6.260.000.000	thrust bearing	1
92	HP6.789.006.006	remote controller	1
91	HP8.626.200.091	shaft	1
90	HP6.480.014.000	bolt	1
89	HP8.940.313.000	washer	1
88	HP8.242.153.000	right body of depth adjustment collar	1
87	HP8.903.059.000	screw	5
86	HP8.926.045.000	bolt	1
85	HP8.220.378.070	bushing	1
84	HP8.076.337.8006	bottom cover	1
83	HP6.702.141.000	GPS controller	1
82	HP8.683.137.000	sealing ring	1
81	HP8.076.336.8005	top cover	1
80	HP8.662.083.000	sealing ring	1
79	HP6.482.000.000	lock nut	1
78	HP8.354.019.000	cable fixing head	1
77	HP8.264.468.000	pin	1
76	HP8.242.152.000	left body of depth adjustment collar	1
75	HP8.379.073.000	nut	1
No.	DRAWING NO.	PART NAME	Q'TY

**TO ORDER
YOUR WATERSNAKE
STEALTH PARTS, VISIT:
www.anglerscentral.com.au**

SCHEMATICS AND PARTS LIST



**55321
WATERSNAKE GEO
SPOT 80LB / 78"
MODEL**



PART NO.

51	HP6. 154. 021. 000	Right movable plate assembly	1
50	HP8. 902. 198. 000	Screw	2
49	HP8. 611. 221. 000	Fixed frame	1
48	HP8. 354. 019. 000	Cable gland	1
47	HP8. 601. 093. 024	Bottom plate	1
46	HP8. 223. 124. 000	bushing	2
45	HP8. 667. 044. 000	Securing clip	1
44	HP8. 383. 127. 000	Left torsion spring	1
43	HP6. 201. 047. 000	Right link assembly	1
42	HP8. 902. 017. 000	screw	3
41	HP8. 610. 193. 000	Pressure plate	1
40	HP8. 902. 201. 045	Screw M3X8	4
39	HP8. 335. 002. 000	pedal	1
38	HP8. 010. 146. 8003	The front cover	1
37	HP8. 902. 193. 045	Screw	6
36	HP6. 672. 187. 000	Display board assembly	1
35	HP6. 702. 160. 000	Drive controller	1
34	HP8. 902. 024. 000	Screw	3
33	HP6. 647. 252. 000	Power cord assembly	1
32	HP6. 201. 046. 000	Left link assembly	1
31	HP8. 383. 128. 000	Right twist	1
30	HP8. 211. 022. 000	Crank sleeve	2
29	HP6. 176. 032. 008	Left panel assembly	1
28	HP8. 902. 559. 000	Screw	1
27	HP8. 683. 041. 000	Elastic cushion	1
26	HP8. 902. 384. 000	Screw	4
25	HP8. 211. 004. 000	Nested	2
24	HP8. 247. 192. 000	Elastic retaining ring for shaft	2
23	HP8. 941. 373. 000	washer	6

**TO ORDER
YOUR WATERSNAKE
STEALTH PARTS, VISIT:
www.anglerscentral.com.au**

PART NO.

74	HP8. 902. 544. 000	Screw	6	22	HP6. 154. 020. 000	Left movable plate assembly	1
73	HP8. 010. 150. 158	Steering box lower cover	1	21	HP8. 383. 218. 000	Left-handed torsion spring	1
72	HP7. 330. 024. 000	Proximity switch	1	20	HP8. 941. 306. 000	Gasket	2
71	HP8. 264. 817. 000	Elastic cylindrical pin	4	19	HP8. 303. 043. 000	Axis of rotation	1
70	HP6. 714. 032. 000	Steering motor	1	18	HP8. 940. 871. 000	Was	6
69	HP8. 610. 424. 024	Fixed plate	1	17	HP8. 903. 219. 000	Screw	6
68	HP8. 902. 571. 000	Screw	3	16	HP8. 940. 056. 000	Transmission gear washers	2
67	HP8. 264. 818. 000	Elastic cylindrical pin	2	15	HP8. 247. 190. 000	Elastic retaining ring for shaft	2
66	HP8. 902. 199. 045	Screw	4	14	HP6. 647. 308. 000	Spiral component	1
65	HP8. 435. 797. 000	gear	1	13	HP8. 940. 625. 000	Flat Washers	2
64	HP8. 354. 032. 000	Waterproof connector	1	12	HP8. 264. 820. 000	Cylindrical pin	2
63	HP6. 647. 286. 000	4-core assembly	1	11	HP8. 264. 819. 000	pin	4
62	HP8. 010. 151. 158	Steering box upper cover	1	10	HP8. 306. 129. 000	axis	1
61	HP8. 354. 029. 000	Waterproof connector	1	9	HP8. 247. 191. 000	Elastic retaining ring for shaft	2
60	HP8. 210. 450. 000	bushing	2	8	HP8. 223. 123. 000	bushing	2
59	HP8. 662. 145. 000	O-ring	2	7	HP8. 530. 119. 006	magnetic steel	1
58	HP6. 263. 067. 002	Bearing	2	6	HP8. 381. 059. 000	Tension spring	2
57	HP8. 247. 193. 000	Circlip for shaft	1	5	HP8. 245. 214. 000	Brushed damping wheel	6
56	HP8. 415. 193. 000	gear	1	4	HP8. 941. 178. 000	Gasket	1
55	HP8. 940. 673. 000	Flat Washers	2	3	HP8. 383. 219. 000	Right-handed torsion spring	1
54	HP8. 211. 005. 027	casing	1	2	HP8. 220. 494. 000	Positioning sleeve	2
53	HP8. 662. 175. 000	O-ring	1	1	HP8. 247. 172. 000	Circlip	4
52	HP6. 176. 033. 008	Right side panel assembly	1	NO.	DRAWING NO.	PART NAME	QTY

**TO ORDER
YOUR WATERSNAKE
STEALTH PARTS, VISIT:
www.anglerscentral.com.au**

PART NO.

112	HP6.482.001.000	prop nut	1
111	HP6.393.009.8001	prop	1
110	HP8.903.187.000	screw	2
109	HP7.690.001.000	sacrificial anode	1
108	HP8.264.157.000	pin	1
107	HP8.683.049.045	retainer ring	1
106	HP6.475.000.000	sealing ring	2
105	HP8.010.070.158	front cover	1
104	HP8.251.000.000	oil bearing	1
103	HP6.670.120.000	brush frame assy	1
102	HP8.903.060.007	bolt	2
101	HP6.656.021.000	rotor assy	1
100	HP8.926.018.000	connecting screw rod	2
99	HP8.610.049.000	hexagonal washer	2
98	HP8.662.015.000	mini O-sealing ring	2
97	HP6.652.015.002	stator assy	1
96	HP8.662.016.000	o-sealing ring	2
95	HP8.251.001.000	oil bearing	1
94	HP8.010.071.158	back cover	1
93	HP6.260.000.000	thrust bearing	1
92	HP6.789.006.006	remote controller	1
91	HP8.626.199.091	shaft	1
90	HP6.480.014.000	bolt	1
89	HP8.940.313.000	washer	1
88	HP8.242.153.000	right body of depth adjustment collar	1
87	HP8.903.059.000	screw	5
86	HP8.926.045.000	bolt	1
85	HP8.220.378.070	bushing	1
84	HP8.076.337.8006	bottom cover	1
83	HP6.702.141.000	GPS controller	1
82	HP8.683.137.000	sealing ring	1
81	HP8.076.336.8005	top cover	1
80	HP8.662.083.000	sealing ring	1
79	HP6.482.000.000	lock nut	1
78	HP8.354.019.000	cable fixing head	1
77	HP8.264.468.000	pin	1
76	HP8.242.152.000	left body of depth adjustment collar	1
75	HP8.379.073.000	nut	1
No.	DRAWING NO.	PART NAME	QTY

THE BELOW INFORMATION IS FOR THE USA ONLY.

WATERSNAKE®

Watersnake Limited One Year Warranty (USA)

All watersnake products are covered by a one year Limited Warranty covering faults in workmanship and materials from the date of original retail purchase. The purchaser should return the defective product postage prepaid, insured, with proof of purchase (a dated sales receipt) and the reason for return to the address below:

**Innovative Procurement
124, Opportunity Rd, Camdenton,
MO 65020, United States
PH: +1 573-346-7447**

Online Store for spare parts and accessories: watersnakeusa.com
Note: Residents of Hawaii, Alaska, and U.S. territories shall be billed for return shipping via registered priority mail.
Watersnake will repair or replace the product at its option and return direct to purchaser.

Terms

This Limited Warranty does not cover Watersnake products damaged due to abuse, misuse, normal wear, or excessive wear caused by neglect of cleaning and lubrication required or general service requirements due to owner's failure to provide reasonable and necessary maintenance.

This Warranty does not extend to products which are put into commercial use. Commercial use is defined as any work or employment related use of the product which generates income.

Watersnake products not covered by this Limited Warranty may be repaired at a nominal charge to the purchaser, provided parts are available and the product is returned with return postage prepaid.

The warranties described herein shall be the sole and exclusive warranties granted by Watersnake and shall be the sole and exclusive remedy available to the purchaser. Correction of defects, in the manner and time period described herein, shall constitute complete fulfillment of all liabilities and responsibilities of Watersnake to the purchaser with regard to this product, and shall constitute full satisfaction of all claims, whether based on contract, negligence, strict liability or otherwise. Watersnake shall not be liable or in any way responsible for any damages or defects caused by repairs or attempted repairs performed by anyone other than a Watersnake authorised service agent. Watersnake reserves the right to amend or change this Limited Warranty at any time. This Limited Warranty is non-transferable. The provisions of this Limited Warranty are in addition to, and not a modification of, or a subtraction from, the statutory warranties and other rights and remedies contained in any applicable legislation. To the extent that any provision of this Limited Warranty is inconsistent with any applicable law, such provision shall be deemed voided or amended as necessary, to comply with such law.

"ALL INCIDENTAL AND/OR CONSEQUENTIAL DAMAGES ARE EXCLUDED FROM THIS WARRANTY INSERT. IMPLIED WARRANTIES ARE LIMITED TO THE LIFE OF THIS WARRANTY. SOME STATES DO NOT ALLOW LIMITATIONS ON HOW LONG AN IMPLIED WARRANTY LASTS OR THE EXCLUSION OR LIMITATION OF THE INCIDENTAL OR CONSEQUENTIAL DAMAGES, SO THE ABOVE LIMITATIONS OR EXCLUSIONS MAY NOT APPLY TO YOU. THIS WARRANTY GIVES YOU SPECIFIC LEGAL RIGHTS, AND YOU MAY ALSO HAVE OTHER LEGAL RIGHTS THAT MAY VARY FROM STATE TO STATE."

For Your Records:

Model Number:.....

Serial Number:.....

WATERSNAKE®

CONTACT INFORMATION

Full and up to date contact information can be found at:

www.watersnake.com.au

REGION/COUNTRY	DISTRIBUTOR	PHONE
Asia Pacific		
Australia	Watersnake	+61 3 8789 7949
New Zealand	Brittain Wynyard	+64 9 306 7200
South Korea	Plady Co.	+82 10 9894 9938
USA		
USA	Innovative Procurement, LLC	+1 573 346 7447
USA	Sea Eagle Boats Inc.	+1 631 791-1799
Africa		
South Africa	Apex Walker	+27 11 4621 302
Europe		
Italy	Europesca Sport	+39 06 6500 2449
Sweden	Wiggler AB	+46 303 798 744
United Kingdom	Dennet Outdoor	+44 0 2871 38 3033

Spare Parts:

Anglers Central Service Centre

To order spare parts online visit:

www.anglerscentral.com.au

Shipping Internationally

www.watersnake.com.au

Watersnake Distribution Pty. Ltd.
297-305 South Gippsland Highway
Dandenong South, Victoria 3175 Australia
ACN: 143 230 175

Watersnake® and Jarvis Marine® are registered trademarks of Watersnake Distribution Pty. Ltd.

© Watersnake Distribution Pty. Ltd. All Rights Reserved.
Specifications are subject to change without notice.